

Type KOR-15C Current Transformer

25 kV, 150 kV BIL, Outdoor

Product Bulletin 1VAP429271-DB



ABB

Product Features

- 25 kV Outdoor
- 150 kV BIL
- 60 Hertz
- Primary Amperes: 5-1200
- Thermal Rating:
100 x rated current
- Electrical Clearances:
Strike: 15.75" (400 mm)
Creep: 36.50" (927 mm)
- Patent Pending

Application

The KOR-15C outdoor current transformer is designed for metering and relaying on outdoor 25 kV circuits and is available in single and dual ratio designs. Dual ratio designs are accomplished by tapping the secondary winding.

Construction Features

Primary and secondary windings are assembled around a toroidal core and attached to a support frame. For insulation and protection, the assembly is cast in hydrophobic cycloaliphatic epoxy (HCEP) using automatic pressure gelation. The HCEP material offers superior arc track, ozone, and ultraviolet-resistive properties while maintaining physical strength. The hydrophobic surface properties of HCEP ensure highly reliable performance in wet or humid environments.

Terminals

Primary terminals are electro-tin plated copper. Clamp-type secondary terminals accommodate #14 through #1 wire. The X2-X3 terminals form the standard tap connections when the transformer is tapped.

Junction Box

The junction box is provided with 1" conduit hubs on each end and a knock-out for fitting a conduit connection from the bottom. It may be detached for ease of installation and changeout procedures.

Baseplate

The baseplate is constructed of corrosion-resistant aluminum and is secured to the encapsulated base support.

Mounting

The KOR-15C can be mounted in upright, cantilever, or upside-down positions. Stress relief devices should be used to support cable connections.

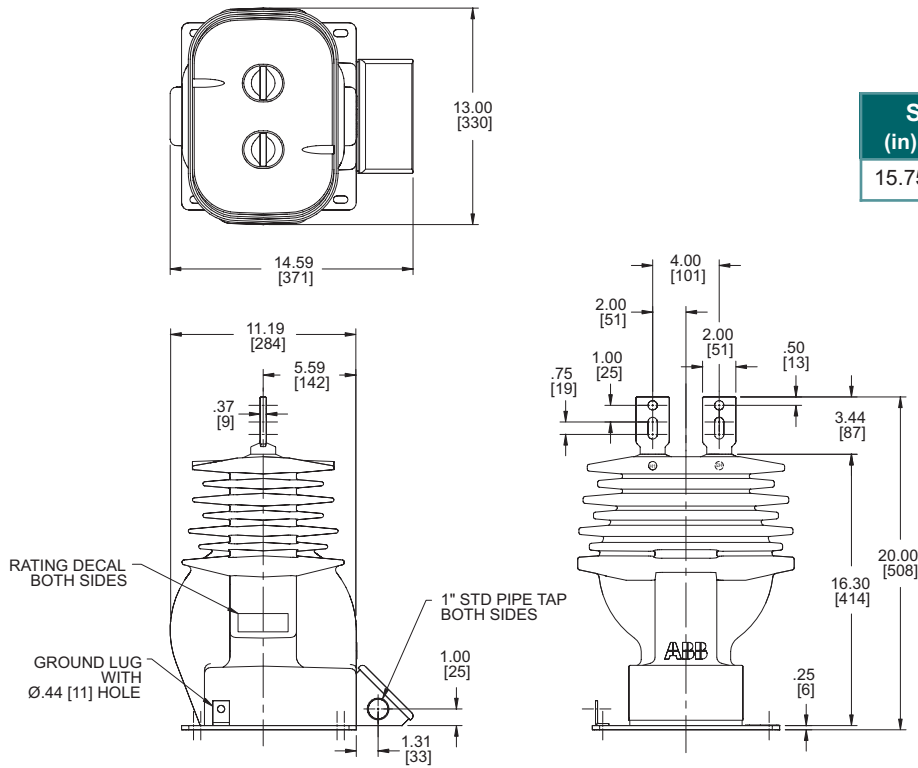
Test Reports

IEEE test reports are stored electronically and can be e-mailed in various formats at the time of shipment.

Standards

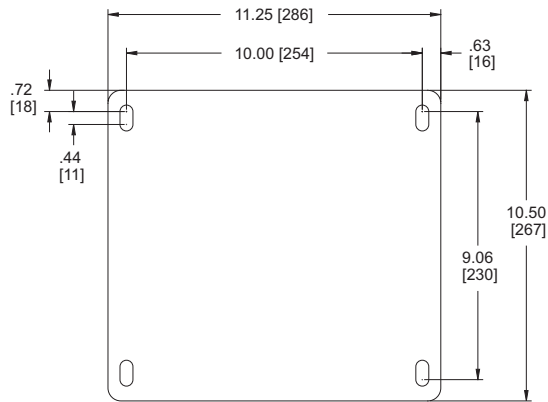
This unit meets all applicable IEEE and NEMA standards and can be made to meet other standards, such as CSA or IEC, as requested.

Unit Dimensions



Strike		Creep		Weight	
(in)	(mm)	(in)	(mm)	(lb)	(kg)
15.75	400	36.5	927	110	50

Baseplate Dimensions



Note: Metric dimensions are displayed in [mm].

Selection Guide

Primary Ampere Rating	Rating Factor @ 30° C	IEEE Metering Accuracy	IEEE Relaying Accuracy	Mechanical Rating+	Style Number
Type KOR-15C Single Ratio					
5	3.0	0.3B-0.9	C100	290	E-923A185G01
10	3.0	0.3B-0.9	C100	290	E-923A185G02
15	3.0	0.3B-0.9	C100	290	E-923A185G03
20	3.0	0.3B-0.9	C100	290	E-923A185G04
25	3.0	0.3B-0.9	C100	290	E-923A185G05
30	3.0	0.3B-0.9	C100	290	E-923A185G06
40	3.0	0.3B-0.9	C100	290	E-923A185G07
50	3.0	0.3B-0.9	C100	290	E-923A185G08
75	3.0	0.3B-0.9	C100	290	E-923A185G09
100	3.0	0.3B-0.9	C100	290	E-923A185G10
150	3.0	0.3B-0.9	C100	290	E-923A185G11
200	3.0	0.3B-0.9	C100	290	E-923A185G12
300	3.0	0.3B-0.9	C100	290	E-923A185G13
400	3.0	0.3B-0.9	C100	290	E-923A185G14
500	2.0	0.3B-0.9	C100	290	E-923A185G15
600	2.0	0.3B-0.9	C100	290	E-923A185G16
800	1.5	0.3B-0.9	C100	290	E-923A185G17
1200	1.0	0.3B-0.9	C100	290	E-923A185G18
Type KOR-15C Dual Ratio					
5/10	3.0/1.5	0.3B-0.9 0.3B-1.8	C100/C200	290/145	E-923A186G01
10/20	3.0/1.5	0.3B-0.9 0.3B-1.8	C100/C200	290/145	E-923A186G02
20/40	3.0/1.5	0.3B-0.9 0.3B-1.8	C100/C200	290/145	E-923A186G03
25/50	3.0/1.5	0.3B-0.9 0.3B-1.8	C100/C200	290/145	E-923A186G04
50/100	3.0/1.5	0.3B-0.9 0.3B-1.8	C100/C200	290/145	E-923A186G05
75/150	3.0/1.5	0.3B-0.9 0.3B-1.8	C100/C200	290/145	E-923A186G06
100/200	3.0/1.5	0.3B-0.9 0.3B-1.8	C100/C200	290/145	E-923A186G07
150/300	3.0/1.5	0.3B-0.9 0.3B-1.8	C100/C200	290/145	E-923A186G08
200/400	3.0/1.5	0.3B-0.9 0.3B-1.8	C100/C200	290/145	E-923A186G09
300/600	3.0/1.5	0.3B-0.9 0.3B-1.8	C100/C200	290/145	E-923A186G10
400/800	3.0/1.5	0.3B-0.9 0.3B-1.8	C100/C200	290/145	E-923A186G11
600/1200	2.0/1.0	0.3B-0.9 0.3B-1.8	C100/C200	290/145	E-923A186G12

Additional styles available upon request. Contact your ABB Sales Representative or call +1-252-827-3212 for more information.

Note: 50 Hz designs available

+ times normal



ABB Inc.
 3022 NC 43 North
 Pinetops, NC 27864
 Tel: +1-252-827-3212
www.abb.com/mediumvoltage