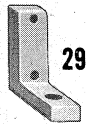
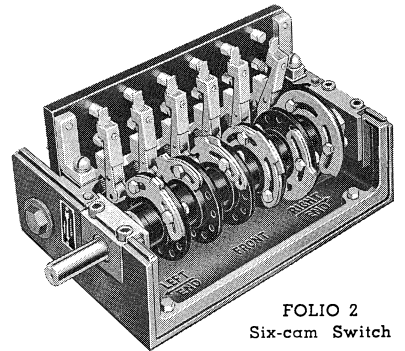
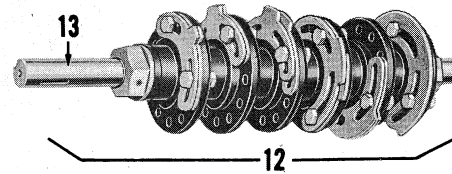
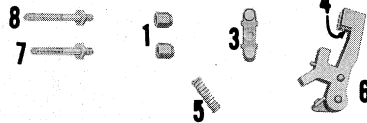
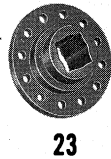
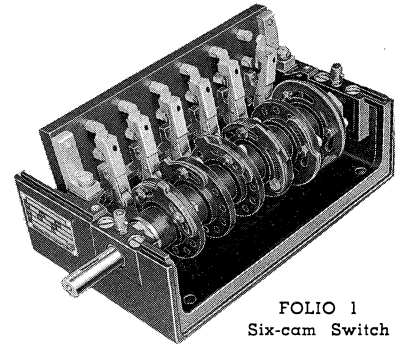
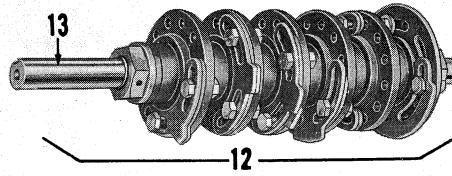
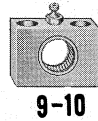
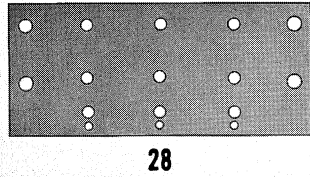


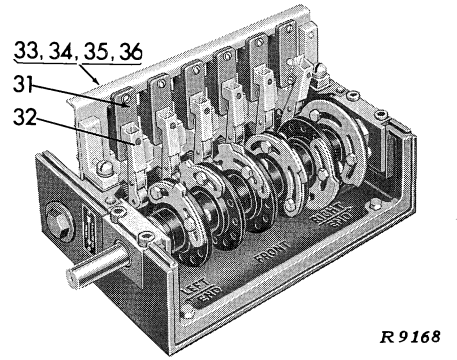


SPARE PARTS

ROTATING CAM LIMIT SWITCHES - TYPE CL



Ref No.	DESCRIPTION OF PART	No. Req.	Part Number	
			FOLIO 1 Switches (with needle-type bearings)	FOLIO 2 Switches (with sealed ball-bearings)
1	① Stationary Contact, Assembled	②	A102-237821A ③	A102-237821A
2	② Steel Washer	②	T2-420	
3	③ Movable Contact Bar, Assembled	②	A101-28965A	A101-28965A
4	④ Movable Contact Spring	②	A101-34114 ④	A101-34114 ④
5	⑤ Contact Arm Spring	②	T45-151	T45-151
6	⑥ Contact Arm, Assembled	②	A101-34104A	A101-34104A
7	⑦ Contact Stud	②	A102-237820-1	A102-237820-1
8	⑧ Contact Stud	②	A102-237820-2	A102-237820-2
9	⑨ Front Bearing Block, Assembled	1	A102-37221A	A102-237818A
10	⑩ Rear Bearing Block, Assembled	1	A102-37222A	A102-237818A
11	⑪ Frame only	1	⑦	⑦
12	⑫ Shaft Assembly with cams	1	⑦	⑦
13	⑬ Shaft only with collar (does not include cam discs and cam equipment as illustrated)	1	⑦	⑦
14	⑭ Cam Equipment, 18°-18° contact opening	②	A102-38680A	A102-38680A
15	⑮ Cam Equipment, 21°-27° contact opening	②	A102-47168A	A102-47168A
16	⑯ Cam Equipment, 26°-37° contact opening	②	A102-37242A	A102-37242A
17	⑰ Cam Equipment, 36°-57° contact opening	②	A102-37243A	A102-37243A
18	⑱ Cam Equipment, 56°-97° contact opening	②	A102-37244A	A102-37244A
19	⑲ Cam Equipment, 96°-177° contact opening	②	A102-37245A	A102-37245A
20	⑳ Cam Equipment, 176°-337° contact opening	②	A102-37246A	A102-37246A
21	㉑ Cam Equipment, 307°-360° contact opening	②	A102-47167A	A102-47167A
22	㉒ Spacer for cam	②	T2-159	T2-159
23	㉓ Cam Disc	②	A102-37231	A102-37231
24	㉔ Locknut	②	A102-37234	A102-237819
25	㉕ Washer	②	T2-162	
26	㉖ Washer	②	T2-158	T2-158
27	㉗ Washer (Formica)	②	T38-75	
28	㉘ Contact Mounting Slate	1	⑦	⑦
29	㉙ Slate Bracket, Assembled	2	A102-37223A	A102-37223A
30	㉚ Cover	1	⑦	⑦
PARTS FOR SWITCHES WITH SNAP-ACTION CONTACTS (See Photo R9168)				
31	㉛ Snap-Action Switch Mechanism	②	A22-241451	A22-241451
32	㉜ Contact Arm, Assembled	②	A102-227506A	A102-227506A
33	㉝ Contact Mounting Plate, 3 cam	1	A102-241452	A102-241452
34	㉞ Contact Mounting Plate, 4-6 cam	1	A102-235850	A102-235850
35	㉟ Contact Mounting Plate, 7-9 cam	1	B102-241453	B102-241453
36	㊱ Contact Mounting Plate, 9-12 cam	1	B102-227505	B102-227505



- NOTES:**
- ① Parts recommended to stock.
 - ② Quantities vary depending on type and form of switch. Furnish complete details when ordering.
 - ③ When being used for replacement on a stationary contact stud without shoulder (not illustrated), T2-420 steel washer should also be ordered.
 - ④ Contact spring (Ref. No. 4) included; arm spring (Ref. No. 5) and contact (Ref. No. 3) not included.
 - ⑤ For use on bottom stud only on 10 and 12-cam limit switch.
 - ⑥ Not illustrated.
 - ⑦ Part numbers vary depending on type and form of switch. Furnish complete details when ordering.
 - ⑧ Specify if wanted with or without cam equipment.
 - ⑨ Give code numbers stamped on cams.
 - ⑩ Assembly does not include contact arm spring T45-151 (Ref. No. 5).
 - ⑪ Assemble spring with large end away from movable contact bar.

ORDERING INSTRUCTIONS

To be sure of obtaining correct parts, give the following information:

- (1) Name Plate Data
- (2) Type, Form and Folio Number
- (3) Part Number
- (4) Part Description

