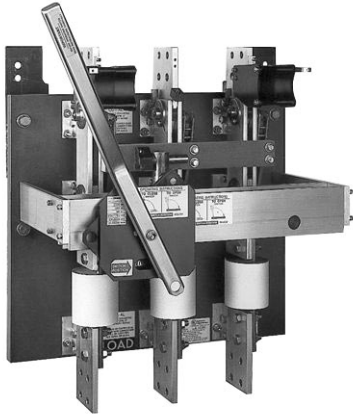




## Pringle Switch and Replacement Parts

Technical Data TD00808001E

Effective February 2007  
Supersedes TD00808001E  
Pages 1 – 8 dated  
August 2006



### Pringle Bolted Contact Switch

#### Contents

Electrical Trip Switches . . . . .	2
Fault Protectors . . . . .	2
Manually Operated Switches . . . . .	2
Electrically Operated Switches . . . . .	2
Catalog Numbering Systems . . . . .	3
Replacement Parts . . . . .	4
Cross-Reference . . . . .	4

#### Product Description

Eaton's Pringle™ Switches have helped pioneer development of high-quality electrical products for commercial and industrial applications since 1891. Our commitment to engineering excellence and reputation for quality have made us a recognized leader in the electrical industry, and today you'll find our electrical products in use throughout the U.S., Canada and most of the world's major markets. Eaton's Pringle Bolted Contact Switches were the first in the industry and are a worldwide standard in high-current switching applications. They are custom-built and used in many heavy-duty applications, and are suitable for use in UL® 891 switchboards.

#### Features

- 480 volt UL.
- 600 volt CSA®.
- 800 – 4000 amperes.
- 5000 and 6000 amperes available (not UL listed).
- 200 kAIC and 100% rated with Class L Fuses.
- Top or bottom feed.
- 2-, 3- or 4-pole.
- Optional blown fuse detection and protection.
- Quick-positive switching action.
- Manual or electrically operated mechanism.
- 12X Make/6X Break contact rating.
- Can be supplied in NEMA® 1, 3R, 4 or 12 enclosures.

#### Products Include:

##### **Manually Operated (QA) — UL Listed**

Manually operated contact switch with quick-positive switching action. It can be top or bottom fed and supplied in a NEMA 1, 3R, 4 or 12 enclosure.

##### **Electrical Trip (CBC) — UL Listed**

Contact switch with charge-before-close mechanism. Can be manually or electrically tripped. Optional blown fuse detector and phase failure relay with capacitor trip available.

##### **Fault Protector Electrical Trip (FP) — UL Listed**

The FP combines the features of a CBC switch but includes an integrated zero-sequence sensor and ground fault.

##### **Electrically Operated Electrical Trip (EO) — Not UL Listed**

The EO combines the features of a CBC switch but includes an operator with a linear motor which electrically closes the switch while charging the stored energy mechanism for stored energy trip.

##### **Pringle Mill Switch (PMS) — Not UL Listed**

Manually operated contact switch with quick-positive switching action. Comes in a NEMA 12 or 4 enclosure with a side operated mechanism. Can be fused or non-fusible, 2- or 3-pole configurations.

**To place an order for a Pringle Bolted Pressure Switch, please call 1-800-356-1243.**

# Pringle Switch Information

**TABLE 1. ELECTRICAL TRIP SWITCHES (CBC)**

TYPE	FEED ③	AMPS	OLD PRINGLE CATALOG NO.	VISTA CATALOG NO.
CBC	B	800	CBC-0833-B-120	CB0833B120480
CBC	B	1200	CBC-1233-B-120	CB1233B120480
CBC	B	1600	CBC-1633-B-120	CB1633B120480
CBC	B	2000	CBC-2033-B-120	CB2033B120480
CBC	B	2500	CBC-2533-B-120	CB2533B120480
CBC	B	3000	CBC-3033-B-120	CB3033B120480
CBC	B	4000	CBC-4033-B-120	CB4033B120480
CBC	B	5000	CBC-5033-B-120	CB5033B120480
CBC	B	6000	CBC-6033-B-120	CB6033B120480
CBC	T	800	QA-0833-CBC-120	CB0833T120480
CBC	T	1200	QA-1233-CBC-120	CB1233T120480
CBC	T	1600	QA-1633-CBC-120	CB1633T120480
CBC	T	2000	QA-2033-CBC-120	CB2033T120480
CBC	T	2500	QA-2533-CBC-120	CB2533T120480
CBC	T	3000	QA-3033-CBC-120	CB3033T120480
CBC	T	4000	QA-4033-CBC-120	CB4033T120480
CBC	T	5000	QA-5033-CBC-120	CB5033T120480
CBC	T	6000	QA-6033-CBC-120	CB6033T120480

③ B = Bottom/T = Top.

**TABLE 2. FAULT PROTECTORS (FP)**

TYPE	FEED ②	AMPS	OLD PRINGLE CATALOG NO.	VISTA CATALOG NO.
FP	B	800	FP-0834-B-480	FP0834B120480
FP	B	1200	FP-1234-B-480	FP1234B120480
FP	B	1600	FP-1634-B-480	FP1634B120480
FP	B	2000	FP-2034-B-480	FP2034B120480
FP	B	2500	FP-2534-B-480	FP2534B120480
FP	B	3000	FP-3034-B-480	FP3034B120480
FP	B	4000	FP-4034-B-480	FP4034B120480
FP	T	800	FP-0834-480	FP0834T120480
FP	T	1200	FP-1234-480	FP1234T120480
FP	T	1600	FP-1634-480	FP1634T120480
FP	T	2000	FP-2034-480	FP2034T120480
FP	T	2500	FP-2534-480	FP2534T120480
FP	T	3000	FP-3034-480	FP3034T120480
FP	T	4000	FP-4034-480	FP4034T120480

② B = Bottom/T = Top.

**TABLE 3. MANUALLY OPERATED SWITCHES (QA)**

TYPE	FEED ③	AMPS	OLD PRINGLE CATALOG NO.	VISTA CATALOG NO.
QA	B	800	QA-0833-B	QA0833B480 ④
QA	B	1200	QA-1233-B	QA1233B480 ④
QA	B	1600	QA-1633-B	QA1633B480 ④
QA	B	2000	QA-2033-B	QA2033B480 ④
QA	B	2500	QA-2533-B	QA2533B480 ④
QA	B	3000	QA-3033-B	QA3033B480 ④
QA	B	4000	QA-4033-B	QA4033B480 ④
QA	B	5000	QA-5033-B	QA5033B480 ④
QA	B	6000	QA-6033-B	QA6033B480 ④
QA	T	800	QA-0833	QA0833T480 ④
QA	T	1200	QA-1233	QA1233T480 ④
QA	T	1600	QA-1633	QA1633T480 ④
QA	T	2000	QA-2033	QA2033T480 ④
QA	T	2500	QA-2533	QA2533T480 ④
QA	T	3000	QA-3033	QA3033T480 ④
QA	T	4000	QA-4033	QA4033T480 ④
QA	T	5000	QA-5033	QA5033T480 ④
QA	T	6000	QA-6033	QA6033T480 ④

③ B = Bottom/T = Top.

④ 208 V system also available.

For other system voltages, see Table 5 on Page 3.

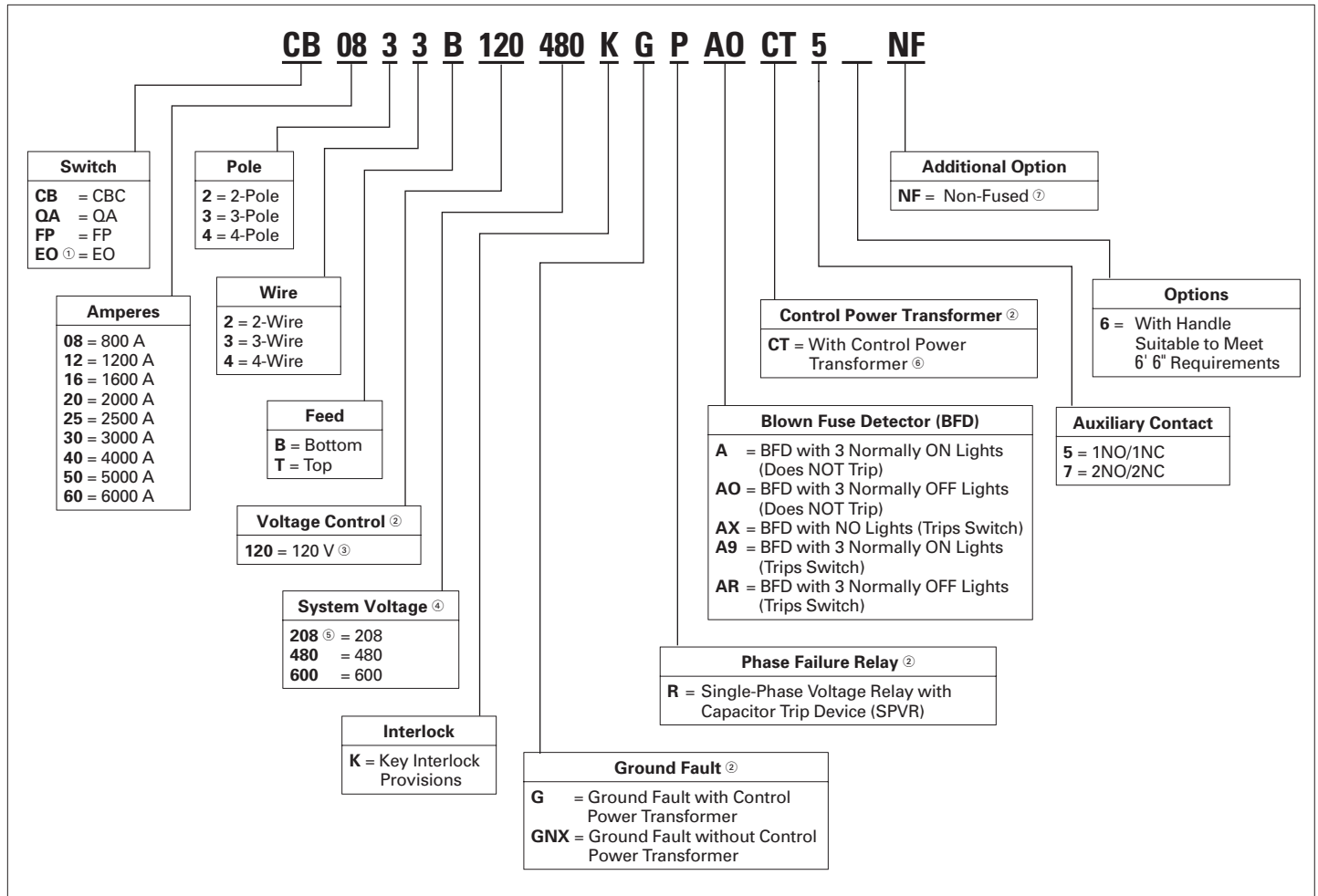
**TABLE 4. ELECTRICALLY OPERATED SWITCHES**

TYPE	FEED ⑤	AMPS	OLD PRINGLE CATALOG NO.	VISTA CATALOG NO. ⑥
FP	B	800	CBC-0833-480-B-E0	E00833B120480
FP	B	1200	CBC-1233-480-B-E0	E01233B120480
FP	B	1600	CBC-1633-480-B-E0	E01633B120480
FP	B	2000	CBC-2033-480-B-E0	E02033B120480
FP	B	2500	CBC-2533-480-B-E0	E02533B120480
FP	B	3000	CBC-3033-480-B-E0	E03033B120480
FP	B	4000	CBC-0833-480-E0	E00833T120480
FP	T	800	CBC-1233-480-E0	E01233T120480
FP	T	1200	CBC-1633-480-E0	E01633T120480
FP	T	1600	CBC-2033-480-E0	E02033T120480
FP	T	2000	CBC-2533-480-E0	E02533T120480
FP	T	2500	CBC-3033-480-E0	E03033T120480
FP	T	3000	CBC-4033-480-E0	E04033T120480

⑤ B = Bottom/T = Top.

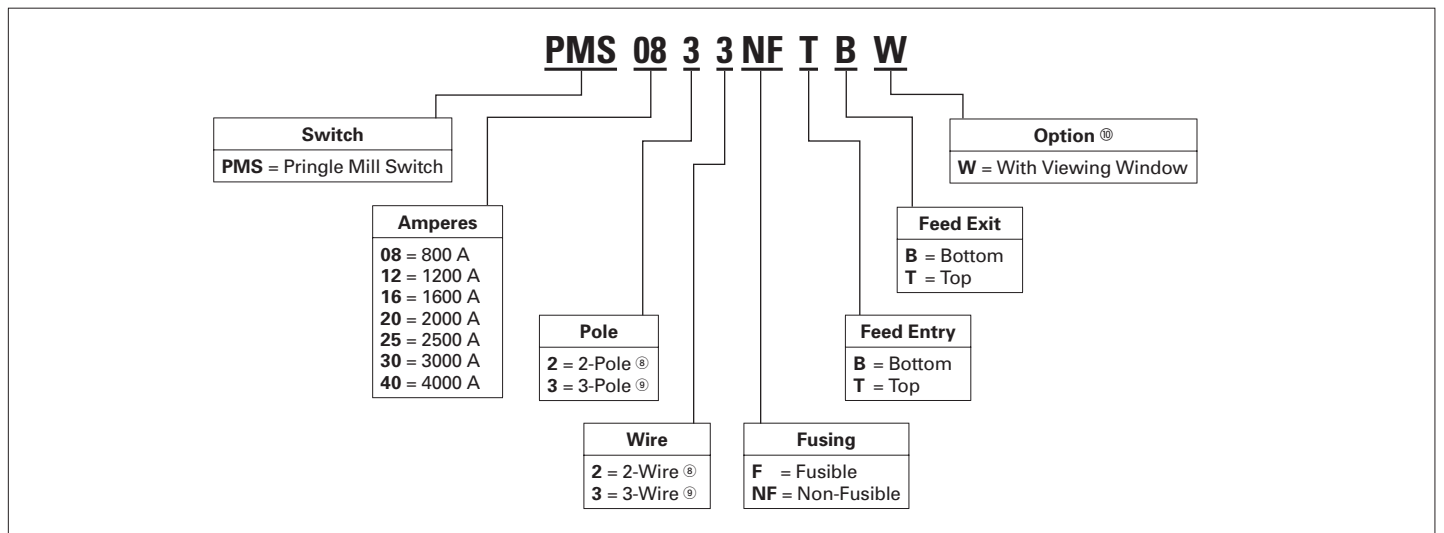
⑥ Substitute 480 with 208 when referencing a different system voltage.

**TABLE 5. VISTA CATALOG NUMBERING SYSTEM — CB, QA, FP, EO**



- ① Not UL listed. A separate control box might be required when adding accessories.
- ② Not an option with QA type switches. GF option includes Control Power Transformer.
- ③ 110VDC and 125VDC also available. Please contact the plant.
- ④ For different system voltage requirements, please contact the plant.
- ⑤ For QA switches, please use a 480 volt system catalog number when referencing a 208 volt system.
- ⑥ Only applicable if ordering a CPT only, without Ground Fault.
- ⑦ Only available with QA switches and in a Top-Feed configuration.

**TABLE 6. VISTA CATALOG NUMBERING SYSTEM — PRINGLE MILL SWITCH**



- ⑧ 250 Vdc.
- ⑨ 480 Vac.
- ⑩ Additional available accessories/options — Door Interlock, Special Nameplates, Special Paint, Auxiliary Contacts. Please inquire at the Cleveland, TN plant.

## Pringle Switch Replacement Parts

### Replacement Products Include:

- Pole Yoke Assembly.
- Arc Chute Assembly.
- Arcing Parts.
- Auxiliary Contact.
- BFD — Actuator.
- Capacitor.
- Clamping Mechanism.
- Coil/Solenoid Assembly.
- Coil Assembly.
- Coil Only.
- Deadfront.
- EO Motor Assembly.
- Ground Fault Relay.
- K Interlock Kit.
- Limit Switch.
- Micro Switch.
- Pan Assembly.
- Pole Assembly.
- Sensor.
- SPVR — Single-Phase Voltage Relay.
- Transformers.
- Handles.

**To place an order for replacement parts, please call 1-800-356-1243.**

**TABLE 7. CROSS-REFERENCE**

DESCRIPTION	FEED	TYPE	VISTA STYLE/ CATALOG NUMBER
<b>3-POLE YOKE ASSEMBLY</b>			
800 A	Bottom & Top	QA & CBC	<b>S10035</b>
1200 & 2000 A	Bottom & Top	QA & CBC	<b>S10036</b>
2500 A	Bottom & Top	QA & CBC	<b>S10037</b>
3000 & 4000 A	Bottom & Top	QA & CBC	<b>S10038</b>
5000 & 6000 A	Bottom & Top	QA & CBC	<b>S10039</b>
<b>ARC CHUTE ASSEMBLY</b>			
Single-Pole	Bottom & Top	QA & CBC	<b>S10075</b>
<b>ARCING PARTS</b>			
800 A, 480 V	Top	QA & CBC	<b>S10048</b>
1200 A, 480 V	Top	QA & CBC	<b>S10049</b>
1600 A, 480 V	Top	QA & CBC	<b>S10050</b>
2000 A, 480 V	Top	QA & CBC	<b>S10051</b>
2500 A, 480 V	Top	QA & CBC	<b>S10052</b>
3000 – 6000 A, 480 V	Top	QA & CBC	<b>S10053</b>
800 A, 600 V	Top	QA & CBC	<b>S10054</b>
1200 A, 600 V	Top	QA & CBC	<b>S10055</b>
1600 A, 600 V	Top	QA & CBC	<b>S10056</b>
2000 & 2500 A, 600 V	Top	QA & CBC	<b>S10057</b>
3000 – 6000 A, 600 V	Top	QA & CBC	<b>S10058</b>
<b>AUXILIARY CONTACT</b>			
Replacement Auxiliary Contact Switch (Std. 5 & 7)	Bottom & Top	QA & CBC	<b>6533</b>
#5 Auxiliary Contact Kit (1NO/1NC)	Bottom & Top	QA & CBC	<b>S0005</b>
#7 Auxiliary Contact Kit (2NO/2NC)	Bottom & Top	QA & CBC	<b>S0007</b>
<b>BLOWN FUSE DETECTION</b>			
Bussman Blown Fuse Actuator #KAZ	Bottom & Top	QA & CBC	<b>6585</b>
Blown Fuse Kit	Bottom & Top	QA & CBC	<b>S0001</b>
<b>CAPACITOR</b>			
ITI CTD-2 Capacitor	Bottom & Top	QA & CBC	<b>6415</b>
<b>CLAMPING MECHANISM</b>			
800 A, 480 V	Top	QA & CBC	<b>S10040</b>
1200 A, 480 V	Top	QA & CBC	<b>S10041</b>
1600 A, 480 V	Top	QA & CBC	<b>S10042</b>
2000 A, 480 V	Top	QA & CBC	<b>S10043</b>
2500 A, 480 V	Top	QA & CBC	<b>S10044</b>
3000 A, 480 V	Top	QA & CBC	<b>S10045</b>
4000 A, 480 V	Top	QA & CBC	<b>S10046</b>
5000 A, 480 V	Top	QA & CBC	<b>S10047</b>

**TABLE 9. CROSS-REFERENCE (CONTINUED)**

<b>DESCRIPTION</b>	<b>FEED</b>	<b>TYPE</b>	<b>VISTA STYLE/ CATALOG NUMBER</b>
<b>COIL ASSEMBLY/SOLENOID ASSEMBLY</b>			
120 V Solenoid Sub-Assembly	Bottom & Top	QA & CBC	<b>S12013</b>
120 V Coil Only	Bottom & Top	QA & CBC	<b>6524</b>
110 Vdc Coil Only	Bottom & Top	QA & CBC	<b>6528</b>
<b>DEADFRONT/OPERATING MECHANISM</b>			
800 – 2000 A	Bottom & Top	CBC	<b>P50014</b>
2500 A	Bottom & Top	CBC	<b>P50015</b>
3000 & 4000 A	Bottom & Top	CBC	<b>P50016</b>
800 – 2000 A (with Key Interlock Provisions)	Bottom & Top	CBC	<b>P51080</b>
2500 A (with Key Interlock Provisions)	Bottom & Top	CBC	<b>P51081</b>
3000 – 4000 A (with Key Interlock Provisions)	Bottom & Top	CBC	<b>P51082</b>
5000 & 6000 A (with Key Interlock Provisions)	Bottom & Top	CBC	<b>S10062</b>
5000 & 6000 A (QA CBC D/F)	Bottom & Top	CBC	<b>S10068</b>
800 A	Bottom & Top	QA	<b>S10064</b>
1200 & 2000 A	Bottom & Top	QA	<b>S10065</b>
2500 A	Bottom & Top	QA	<b>S10066</b>
3000 & 4000 A	Bottom & Top	QA	<b>S10067</b>
5000 & 6000 A (Service D/F)	Bottom & Top	QA	<b>S20501</b>
800 – 2000 A, Special	Bottom & Top	QA	<b>S10069</b>
2500 A, Special	Bottom & Top	QA	<b>S10070</b>
3000 – 4000 A, Special	Bottom & Top	QA	<b>S10071</b>
3000 & 4000 A (with Key Interlock Provisions)	Bottom & Top	QA	<b>S10079</b>
<b>GROUND FAULT RELAY</b>			
BGFL- 159-1200 ITI Ground Fault Relay	Bottom & Top	QA & CBC	<b>4276</b>
<b>K INTERLOCK KIT</b>			
800 – 4000 A	Bottom & Top	QA	<b>S1805R</b>
800 – 4000 A	Bottom & Top	CBC	<b>S1806R</b>
<b>SWITCH</b>			
Replacement Limit Switch	Bottom & Top	QA & CBC	<b>6534</b>
MT 4RV A 28 Micro Switch	Bottom & Top	QA & CBC	<b>6536</b>
<b>PAN ASSEMBLY — SPVR RELAY &amp; CPT — 480 Vac</b>			
800 – 2000 A	Bottom	CBC	<b>P55325</b>
2500 A	Bottom	CBC	<b>P55326</b>
3000 – 4000 A	Bottom	CBC	<b>P55327</b>
800 – 2000 A	Top	CBC	<b>P51724</b>
2500 A	Top	CBC	<b>P55421</b>
3000 – 4000 A	Top	CBC	<b>P51726</b>
<b>PAN ASSEMBLY — GF &amp; SPVR RELAY &amp; CPT — 480 Vac</b>			
800 – 2000 A	Top	CBC	<b>P55422</b>
2500 A	Top	CBC	<b>P55423</b>
3000 – 4000 A	Top	CBC	<b>P55424</b>
800 – 2000 A	Bottom	CBC	<b>P51750</b>
2500 A	Bottom	CBC	<b>P55437</b>
3000 – 4000 A	Bottom	CBC	<b>P55425</b>
<b>PAN ASSEMBLY — GF &amp; CPT — 480 Vac</b>			
800 – 2000 A	Top	CBC	<b>P55502</b>
2500 A	Top	CBC	<b>P55503</b>
3000 – 4000 A	Top	CBC	<b>P55504</b>
800 – 2000 A	Bottom	CBC	<b>P55508</b>
2500 A	Bottom	CBC	<b>P55509</b>
3000 – 4000 A	Bottom	CBC	<b>P55510</b>
<b>PAN ASSEMBLY — GF &amp; CPT — 208 Vac</b>			
800 – 2000 A	Top	CBC	<b>P55505</b>
2500 A	Top	CBC	<b>P55506</b>
3000 – 4000 A	Top	CBC	<b>P55507</b>
800 – 2000 A	Bottom	CBC	<b>P55511</b>
2500 A	Bottom	CBC	<b>P55512</b>
3000 – 4000 A	Bottom	CBC	<b>P55513</b>

**TABLE 9. CROSS-REFERENCE (CONTINUED)**

<b>DESCRIPTION</b>	<b>FEED</b>	<b>TYPE</b>	<b>VISTA STYLE/ CATALOG NUMBER</b>
<b>POLE ASSEMBLY</b>			
800 A, 480 V	Top	QA & CBC	<b>S10005</b>
1200 A, 480 V	Top	QA & CBC	<b>S10006</b>
1600 A, 480 V	Top	QA & CBC	<b>S10007</b>
2000 A, 480 V	Top	QA & CBC	<b>S10008</b>
2500 A, 480 V	Top	QA & CBC	<b>S10009</b>
3000 A, 480 V	Top	QA & CBC	<b>S10010</b>
4000 A, 480 V	Top	QA & CBC	<b>S10011</b>
5000 A, 480 V	Top	QA & CBC	<b>S10012</b>
800 A, 480 V	Bottom	QA & CBC	<b>S10013</b>
1200 A, 480 V	Bottom	QA & CBC	<b>S10014</b>
1600 A, 480 V	Bottom	QA & CBC	<b>S10015</b>
2000 A, 480 V	Bottom	QA & CBC	<b>S10016</b>
2500 A, 480 V	Bottom	QA & CBC	<b>S10017</b>
3000 A, 480 V	Bottom	QA & CBC	<b>S10018</b>
4000 A, 480 V	Bottom	QA & CBC	<b>S10019</b>
5000 A, 480 V	Bottom	QA & CBC	<b>S10020R</b>
800 A, 600 V	Bottom	QA & CBC	<b>S10021</b>
1200 A, 600 V	Bottom	QA & CBC	<b>S10022</b>
1600 A, 600 V	Bottom	QA & CBC	<b>S10023</b>
2000 A, 600 V	Bottom	QA & CBC	<b>S10024</b>
2500 A, 600 V	Bottom	QA & CBC	<b>S10025</b>
3000 A, 600 V	Bottom	QA & CBC	<b>S10026</b>
4000 A, 600 V	Bottom	QA & CBC	<b>S10027</b>
800 A, 600 V	Top	QA & CBC	<b>S10028</b>
1200 A, 600 V	Top	QA & CBC	<b>S10029</b>
1600 A, 600 V	Top	QA & CBC	<b>S10030R</b>
2000 A, 600 V	Top	QA & CBC	<b>S10031</b>
2500 A, 600 V	Top	QA & CBC	<b>S10032</b>
3000 A, 600 V	Top	QA & CBC	<b>S10033</b>
4000 A, 600 V	Top	QA & CBC	<b>S10034</b>
<b>SENSOR</b>			
800 – 2000 A (8.0 x 18.0)	Bottom & Top	CBC	<b>4296</b>
2500 A (8.0 x 24.0)	Bottom & Top	CBC	<b>4297</b>
3000 & 4000 A (8.0 x 36.0)	Bottom & Top	CBC	<b>4298</b>
800 – 2000 A, Split Core (8.0 x 18.0)	Bottom & Top	CBC	<b>4296SC</b>
2500 A, Split Core (8.0 x 24.0)	Bottom & Top	CBC	<b>4297SC</b>
3000 – 4000 A, Split Core (8.0 x 36.0)	Bottom & Top	CBC	<b>4298SC</b>
<b>BARRIERS</b>			
800 A	Top	QA	<b>S5008</b>
1200 – 2000 A	Top	QA	<b>S5016</b>
2500 A	Top	QA	<b>S5025</b>
3000 – 4000 A	Top	QA	<b>S5040</b>
800 A	Bottom	QA	<b>S5208</b>
1200 – 2000 A	Bottom	QA	<b>S5216</b>
2500 A	Bottom	QA	<b>S5225</b>
3000 A	Bottom	QA	<b>S5230</b>
4000 A	Bottom	QA	<b>S5240</b>
800 – 2000 A	Top	CBC & Special	<b>S5416</b>
2500 A	Top	CBC & Special	<b>S5425</b>
3000 – 4000 A	Top	CBC & Special	<b>S5440</b>
800 – 2000 A	Bottom	CBC & Special	<b>S5616</b>
2500 A	Bottom	CBC & Special	<b>S5625</b>
3000 A	Bottom	CBC & Special	<b>S5630</b>
4000 A	Bottom	CBC & Special	<b>S5640</b>

**TABLE 9. CROSS-REFERENCE (CONTINUED)**

<b>DESCRIPTION</b>	<b>FEED</b>	<b>TYPE</b>	<b>VISTA STYLE/ CATALOG NUMBER</b>
<b>SPVR — SINGLE-PHASE VOLTAGE RELAY KIT</b>			
480 V (Includes Relay and Support)	Bottom & Top	QA & CBC	<b>7137R</b>
208 V (Includes Relay and Support)	Bottom & Top	QA & CBC	<b>7139R</b>
<b>TB POLE ASSEMBLY</b>			
4000 A, PMS (N/F)	Bottom & Top	QA & CBC	<b>S10063</b>
<b>TRANSFORMERS</b>			
480 V	Bottom & Top	QA & CBC	<b>4270</b>
208 V	Bottom & Top	QA & CBC	<b>4272</b>
<b>HANDLES</b>			
800 A	Bottom & Top	QA	<b>2450</b>
800 A, with Provision for 6' 6" Handle	Bottom & Top	QA	<b>2452</b>
800 – 2500 A, ECOTE	Bottom & Top	QA ①	<b>2477</b>
800 – 2500 A, ECOTE, with Provision for 6' 6" Handle	Top	QA ①	<b>2521R</b>
800 – 2500 A, ECOTE, with Provision for 6' 6" Handle	Bottom	QA ①	<b>2522R</b>
1200 – 2500 A	Bottom & Top	QA	<b>2476</b>
1200 – 2500 A, with Provision for 6' 6" Handle	Top	QA	<b>2442</b>
1200 – 2500 A, with Provision for 6' 6" Handle	Bottom	QA	<b>2443</b>
3000 – 4000 A, ECOTE, with Provision for 6' 6" Handle	Top	QA ①	<b>2524R</b>
3000 – 4000 A, ECOTE, with Provision for 6' 6" Handle	Bottom	QA ①	<b>2525R</b>
3000 – 4000 A	Bottom & Top	QA	<b>2491</b>
3000 – 4000 A	Bottom & Top	QA ①	<b>2492</b>
3000 – 4000 A, with Provision for 6' 6" Handle	Top	QA	<b>2446</b>
3000 – 4000 A, with Provision for 6' 6" Handle	Bottom	QA	<b>2447</b>
5000 – 6000 A	Bottom & Top	QA & CBC	<b>2515R</b>
800 – 2500 A	Top	CBC	<b>2463</b>
800 – 2500 A	Bottom	CBC	<b>2467</b>
800 – 2500 A, ECOTE	Top	CBC ①	<b>2464</b>
800 – 2500 A, ECOTE	Bottom	CBC ①	<b>2468</b>
800 – 2500 A, with Provision for 6' 6" Handle	Top	CBC	<b>2444</b>
800 – 2500 A, with Provision for 6' 6" Handle	Bottom	CBC	<b>2453</b>
800 – 2500 A, ECOTE, with Provision for 6' 6" Handle	Top	CBC ①	<b>2523</b>
800 – 2500 A, ECOTE, with Provision for 6' 6" Handle	Bottom	CBC ①	<b>2527</b>
3000 – 4000 A	Top	CBC	<b>2498</b>
3000 – 4000 A	Bottom	CBC	<b>2502R</b>
3000 – 4000 A, ECOTE	Top	CBC ①	<b>2499</b>
3000 – 4000 A, ECOTE	Bottom	CBC ①	<b>2503R</b>
3000 – 4000 A, with Provision for 6' 6" Handle	Top	CBC	<b>2448</b>
3000 – 4000 A, ECOTE, with Provision for 6' 6" Handle	Bottom	CBC	<b>2454</b>
3000 – 4000 A, ECOTE, with Provision for 6' 6" Handle	Top	CBC ①	<b>2526</b>
3000 – 4000 A, ECOTE, with Provision for 6' 6" Handle	Bottom	CBC ①	<b>2528R</b>
800 A	—	PMS	<b>2461</b>
1200 – 2500 A	—	PMS	<b>2485</b>
3000 – 4000 A	—	PMS	<b>2512R</b>
<b>OTHER</b>			
Panel Spacer, 1200 – 4000 A	Bottom & Top	QA & CBC	<b>0911</b>
Trim Plate, 800 – 4000 A	Bottom & Top	QA	<b>3035</b>
Trim Plate, 800 – 4000 A	Bottom & Top	CBC	<b>3036</b>

① Special

UL is a registered trademark of Underwriters Laboratories Inc. CSA is a registered trademark of the Canadian Standards Association. NEMA is the registered trademark and service mark of the National Electrical Manufacturers Association.

**Eaton Electrical Inc.**  
1000 Cherrington Parkway  
Moon Township, PA 15108-4312  
United States  
tel: 1-800-525-2000  
[www.EatonElectrical.com](http://www.EatonElectrical.com)



**Cutler-Hammer**

© 2007 Eaton Corporation  
All Rights Reserved  
Printed in USA  
Publication No. TD00808001E / Z5342  
February 2007