

Heinemann® AM/R Series Circuit Breakers Part Numbering System

DESCRIPTION

The AM/R hydraulic-magnetic circuit breaker has been designed to meet the most rigorous international standards of EN 60947-2. This is in accordance with the CE low voltage directive. The new design incorporates larger internal component spacing while maintaining form, fit, and function interchangeability with the older AM, AM/S, and NAM/S models.

New and Improved features:

- 8mm spacing between operator and any other conductive surface.
- Dielectric withstand — 3750V AC.
- 3mm minimum contact spacing for a main disconnect.
- Higher current interrupting rating for branch circuit protection.
- Higher DC voltage rating for telecom applications.
- Available up to 8 poles to allow for special applications.
- Various termination options for custom design applications: stud, screw, fuse clip and plug-in type.
- Plug-in terminals facilitate easier installation and removal of unit without special tools.
- Tamper-proof terminals.
- Custom marked handles and colors available.

The AM/R also offers these key features found in previous models:

- Meets international standards in one package.
- Trip free feature helps prevent the circuit breaker from being held in the ON position during an overload.
- Common trip on multiple breakers.
- Self-cleaning contacts.
- Mid-trip alarm switch.



Single pole with white toggle handle



Single pole with blue toggle handle



Two pole with multi-handle



Three pole with single handle

The Power of Reliability

HEINEMANN® AM/R Series Circuit Breakers

Series AM/R

HOW TO ORDER

To determine your **Complete Catalog Number**, start with **Series Prefix AM** and add the appropriate **Code Letters** and/or **Numbers** as in the example below. Any part number with greater than 25 digits including dashes will be shipped with a factory-assigned part number.

Step 1	Step 2	Steps 3 & 4				Step 5	Step 6	Step 7	
Series Prefix	Poles ①	Series Suffix	This section is to be repeated as applicable.				Handle Location	Handle Color & Marking ④	Mounting & Terminals
			Frequency ②	Internal Circuit ③	Frequency ②	Internal Circuit ③			
AM	2	R -	A	9	A	9	- L	C	15

SELECTION TABLE

Series Prefix	Poles ①	Series Suffix	Frequency ②		Internal Circuit ③				Handle Location		Handle Color & Marking ④		Mounting & Terminals		
			Frequency	Code	Inrush Code	Aux. Switch	Description	Code	Handle	Code	Color & Marking	Code	Mounting	Terminals	Code
AM	1	R -	50/60 Hz	A	-	No	Switch only	0		- A	Black ON/OFF	A	6-32	10-32 Threads 70A	07
					8 X	Yes	Series Trip	2		- B			6-32	1/4-20 Threads 100A	97
					8 X	No	Series Trip	3		- C			6-32	M5 Threads 70A	08
					8 X	No	Shunt-Tap	5		- B			6-32	M6 Threads 100A	98
					8 X	No	Relay Trip	6		- C			M3-0.5	10-32 Threads 70A	13
					8 X	No	Dual Rating	7		- C			M3-0.5	1/4-20 Threads 100A	14
					18 X	No	Series Trip	8		- L			M3-0.5	M5 Threads 70A	15
					18 X	Yes	Series Trip	9		- L			M3-0.5	M6 Threads 100A	16
					-	Yes	Switch only	12		- D			M3-0.5	Plug-In Ø 7.77 x 16.6	20
					8 X	No	DuCon	15		- D			6-32	Plug-In Ø 7.77 x 16.6	21
					8 X	No	DuCon Series+Relay	16		- M			M3-0.5	Plug-In Ø 6.25 x 21.6	22
					18 X	No	Shunt-Tap	22		- M			6-32	Plug-In Ø 6.25 x 21.6	23
					18 X	No	Relay Trip	23		- N			M3-0.5	Plug-In Ø 6.25 x 15.4	24
					18 X	No	DuCon	25		- N			6-32	Plug-In Ø 6.25 x 15.4	25
					18 X	No	DuCon Series+Relay	26		- L			M3-0.5	Fuse-clip ⑥	30
					18 X	No	Dual Rating	27		- L			6-32	Fuse-clip ⑥	31
					25 X	No	Shunt-Tap	32		- R			M3-0.5	M5 Saddle clamp ⑥	40
					25 X	No	Relay Trip	33		- R			M3-0.5	10-32 Threads 50A	41
					25 X	No	Dual Rating	37		- P			M3-0.5	M6 Screw	42
					25 X	No	Series Trip	38		- P			6-32	1/4-20 Screw	43
					25 X	Yes	Series Trip	39		- S			6-32	M5 Saddle clamp ⑥	44
					18 X	No	Relay Coil	76		- S			6-32	10-32 Threads 50A	45
					8 X	No	Relay Coil	86		- L			6-32	M6 Screw	46
					25 X	No	Relay Coil	96		- L			6-32	1/4-20 Screw	47
					8 X	No	Mid-Trip	98							
					8 X	No	Mid-Trip with Alarm switch	99							

① Configurations greater than four poles must be "without" UL in Step 9.

② Frequency and internal circuit for first pole on left as viewed from front of breaker, or for all poles if identical. Repeat frequency and internal circuit codes for subsequent poles only if different from first. Exceptions are that you must repeat codes for auxiliary switch, Shunt/Tap, Relay trip, and DuCon if more than left pole requires these circuits. (Example: AM3R-A2... is AM3R-A2A3A3).

③ Other circuits available. Please consult Customer Service Center.

④ Other colors available. Please contact Customer Service Center.

⑤ Standard execution.

⑥ 50A max for UL-Approval. VDE Pending.



Complete Part Number: AM2R-A9A9-LC15D-A52-12R5-4

Step 8	Step 9	Step 10 ⑩	Step 11	Step 12
Worldwide Approvals	UL-CSA Approval ⑧	Auxiliary Switch ⑩	Current Ratings ⑪	Time Delay Curves
D –	A	52	–12R5	– 4

Worldwide Approval	UL-CSA Approval ⑧						Auxiliary Switch ⑩						Current Ratings ⑪	Time Delay Curves						
	Description	Code	UL Standard	Max. Ratings	Max. Voltage	Frequency	Code	Function	Contacts	Terminals	UL/ CSA	VDE ⑦		Volt AC	Code	Ampere ⑪	Inrush Level	Time Delay	Frequency	Code
Without (Standard) VDE & CE in conf. ⑦ with IEC 950 Meets IEC 950 electrical spacing requirements TUV approved and CE marked.	D –	Without	UL 1077	100 A	250 V 240 V	50/60 Hz 400 Hz	A								From – R02 to – 100	8 X	Long	50/60 Hz DC 400 Hz 50/60 Hz DC	-1	
				80 V	DC											8 X	Medium	50/60 Hz DC 400 Hz 50/60 Hz DC	-2	
	H –	Without	UL 1077	100 A	250 V 240 V	50/60 Hz 400 Hz	NU										8 X	Short	50/60 Hz DC 400 Hz 50/60 Hz DC	-3
				80 V	DC												18 X	Long	50/60 Hz DC 50/60 Hz DC	-4
	W –	Without	UL 1077 ⑧	50 A	277 V	50/60 Hz	L	NO-NC	Ag	4.8 Fast-on	10.1 A	-	220	07			18 X	Medium	50/60 Hz DC 50/60 Hz DC	-5
				50 A	277 V	50/60 Hz	NL	NO-NC	AgAuPt	4.8 Fast-on	0.1 A	-	125	11			18 X	Medium	50/60 Hz DC 50/60 Hz DC	-6
	T –	Without	UL 1077	50 A	415 V	50/60 Hz	AD	NO-NO ⑤	Ag	2.8 Fast-on	10.1 A	1.0 A	220	52			18 X	Short	50/60 Hz DC 50/60 Hz DC	-7
				50 A	415 V	50/60 Hz	ND	NO-NC	Ag	to be weld	10.1 A	1.0 A	220	53			18 X	Short	50/60 Hz DC 50/60 Hz DC	-8
	T –	Without	UL 1077	30 A	480 V	50/60 Hz	AB	NO-NC	AgAuPt	2.8 Fast-on	0.1 A	0.1 A	220	54			25 X	Long	50/60 Hz DC	-9
				30 A	480 V	50/60 Hz	NB	NO-NC	AgAuPt	2.8 Fast-on	0.1 A	0.1 A	220	54			25 X	Medium	50/60 Hz DC	-8
	T –	Without	UL 489	50 A	240 V 80 V	50/60 Hz DC	DU										25 X	Short	50/60 Hz DC	-9
				100 A	80 V	DC												-	Instant	50/60 Hz DC 400 Hz
	T –	Without	UL 1077	50 A	125 V	DC	C										-	Switch only	50/60 Hz DC 400Hz	-S
				50 A	125 V	DC	NC													

⑦ VDE approval pending / Only applicable with Internal Circuits Codes: 00, 02, 03, 05, 08, 09, 12, 15, 16, 22, 25, 26, 32, 38, 39 and 86.

⑧ AD code is only available with a 2-pole execution minimum and AB code with a 3-pole execution minimum.

⑩ Step 10 is only required if breaker has auxiliary switch. If auxiliary switch is not required, omit Step 10.

⑩ Other auxiliary switches available. Please contact Customer Service Center.

⑪ All ratings between 0.02 A and 100 A are available. Consult Customer Service Center for availability and delivery time. A value less than 1 A requires the character "R" in place of the decimal point when ordering. For example, 2.5 A would be specified as 2R5 in the part number.

Heinemann[®] AM/R Series Circuit Breakers

APPLICATIONS

- Cellular Telcom Sites.
- AC/DC Distribution Panel.
- Battery Disconnects.
- Data Processing Equipment.
- Marine.
- Humid Environments.

SPECIFICATIONS

Number of Poles: 1 to 8.

Current Ratings: 0.020 – 100A (ac and dc).

Maximum Voltage:

250V, 50/60 Hz or 400Hz.

277V, 50/60 Hz 1-phase.

480V, 50/60 Hz 3-phase Y.

80-125V dc.

Interrupting Capacity:

10,000A (120V ac/80V dc).

5000A @ 250V ac with backup fusing.

Agency Recognition or Approval:

UL Listed (Std. UL489).

UL Recognized (Std. 1077).

UL 1500.

CSA certified.

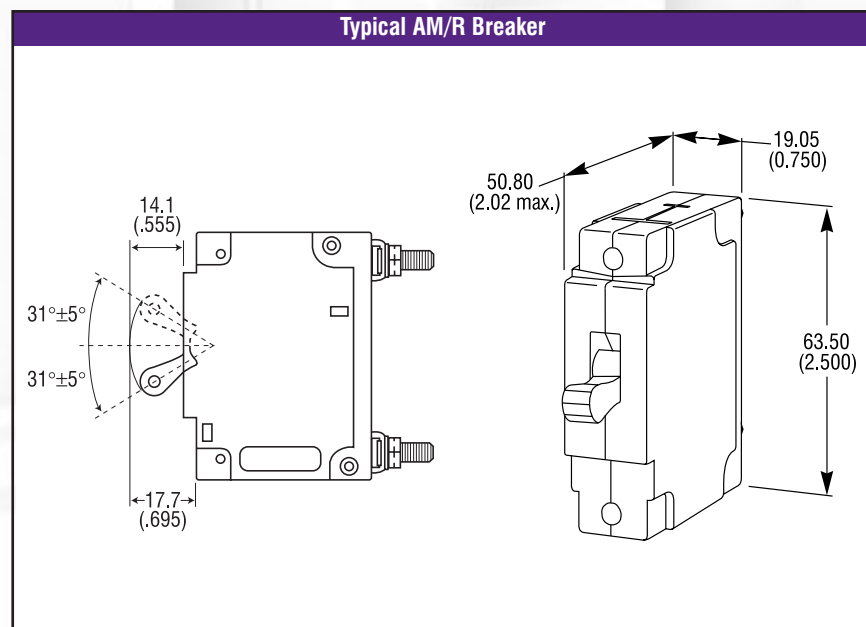
VDE (0660T101) (pending).

TUV (EN 60947-2).



DIMENSIONS

APPROXIMATE IN MM (INCHES)



Eaton Corporation
Commercial Controls Division
4201 N. 27th Street
Milwaukee, WI 53216
Tel: (800) 962-0820
Fax: (414) 449-6760

www.commercialcontrols.eaton.com

Heinemann is a registered trademark of the Eaton Corporation.

Publication CB.CAT.AMR/J.O

©2000 Eaton Corporation

EATON