



# Instructions for Type DBA Fuse Units 7.2 kV to 145 kV

## WARNING

THE IMPROPER INSTALLATION AND MAINTENANCE OF THESE PRODUCTS CAN RESULT IN DEATH, SERIOUS PERSONAL INJURY AND/OR PROPERTY DAMAGE. READ AND UNDERSTAND ALL INSTRUCTIONS RELATED TO THIS PRODUCT BEFORE ATTEMPTING INSTALLATION OR MAINTENANCE OF THESE FUSES. INSTALLATION OR MAINTENANCE SHOULD BE ATTEMPTED ONLY BY QUALIFIED PERSONNEL. THIS INSTRUCTION LEAFLET SHOULD NOT BE CONSIDERED TOTALLY INCLUSIVE REGARDING THE INSTALLATION OR MAINTENANCE PROCEDURES. THE FUSES DESCRIBED IN THIS LEAFLET ARE DESIGNED AND TESTED TO OPERATE WITHIN THEIR NAMEPLATE RATINGS. OPERATION OUTSIDE OF THESE RATINGS MAY CAUSE THE FUSES TO FAIL, RESULTING IN DEATH, BODILY INJURY, AND/OR PROPERTY DAMAGE. ALL APPLICABLE SAFETY CODES, SAFETY STANDARDS, AND SAFETY REGULATIONS MUST BE STRICTLY ADHERED TO WHEN INSTALLING, OPERATING, OR MAINTAINING THIS EQUIPMENT. HANDLE FUSE UNITS WITH CARE--DO NOT DROP OR THROW! IF FURTHER INFORMATION IS REQUIRED, PLEASE CONTACT CUTLER-HAMMER.

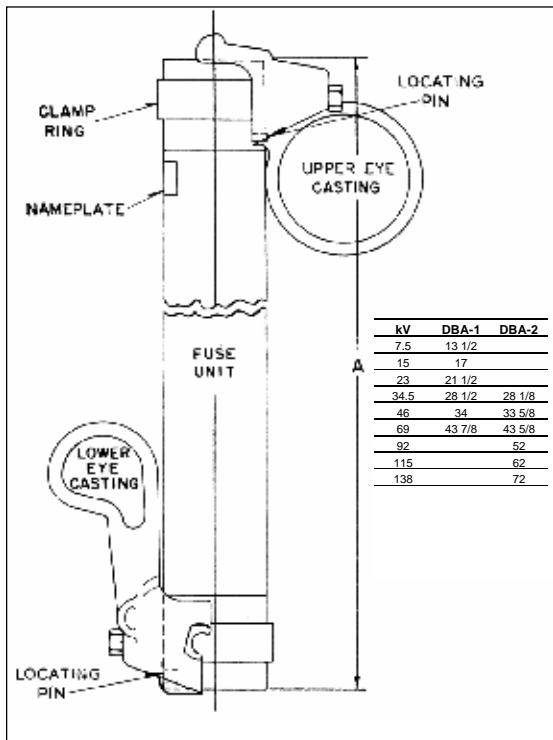


Fig. 1.

## Installation of Replacement Fuses

DBA Fuse units are available in two classifications, DBA-1 and DBA-2 and are used for utility-type applications from 7.2 kV through 145 kV.

Remove fuses from all three phases and replace with new or tested units. Fuses having been involved in a fault but not blown should be tested by resistance measurements to ascertain that they are suitable for continued service. Resistance limits are available on request.

Prior to installation, it is advisable to check the functioning of the mounting as follows:

1. Remove fuse fittings from hinge casting (Fig. 3) and mount on a suitable fuse unit as shown in Fig. 1.
2. Check gauging distance "S" between center of guide pin in latch housing and bottom of socket in hinge casting as illustrated in Fig. 2. Dimension "S" must measure the same on both sides of the mounting. If dimension "S" is found to be incorrect, adjust it by utilizing the clearances provided in the bolt holes (Fig. 4).
3. Put the suitable fuse unit equipped with fittings in the mounting. Check operation of latch assembly by closing and opening the fuse as shown in Fig. 5.

DBA-1 fuses up to 69 kV as well as DBA-2 fuses up to 46 kV can be lifted into the hinge casting by means of conventional all-purpose hooksticks. For lifting heavier fuses into the hinge, a hookstick about one foot shorter than the distance from ground level to the fuse hinge is recommended. This hookstick should be held approximately vertical as shown in Fig. 5. For the closing-in or disconnecting operation, a hookstick of at least four foot greater length should be employed. Insert the hookstick pin into the eye of the fuse fitting from the right-hand side and have it form an angle of at least 35° with the fuse.

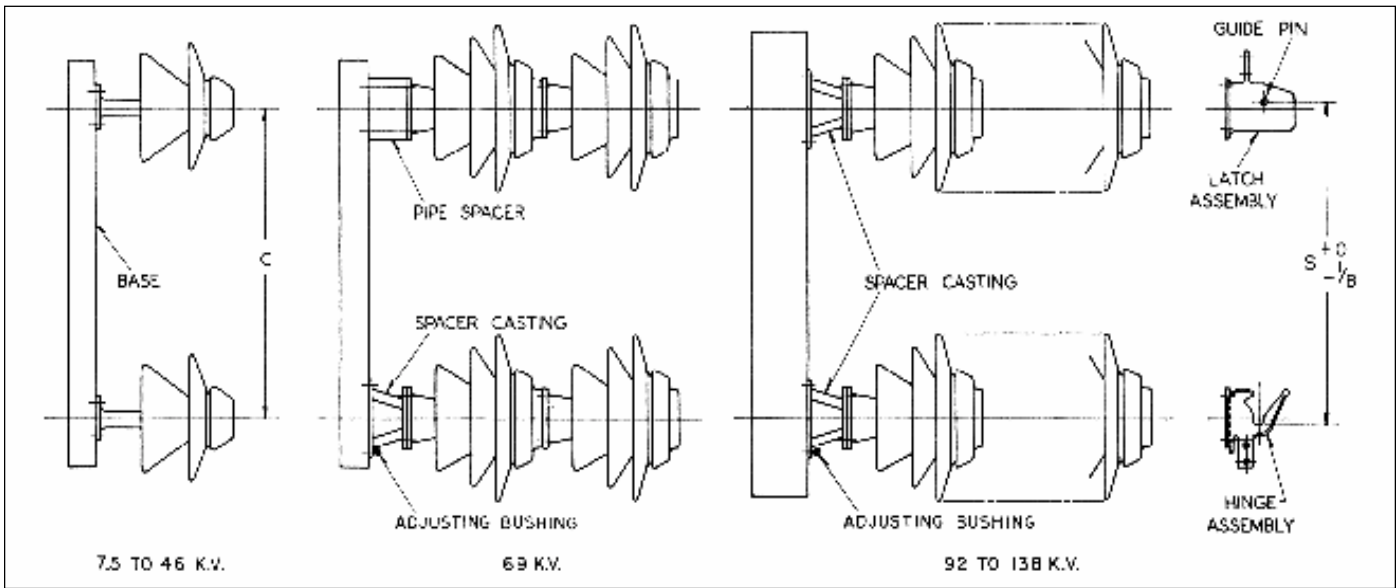
Fuse should be closed in with a sharp thrust. A similar impact like pull is required to open the fuse. After the latch contacts have parted, the fuse may be allowed to disengage itself from the hookstick and drop out in a normal manner.

## Maintenance

General maintenance instructions are published in the IEEE Standard C-37.48-19973. Inspection of the fuse mounting should include checking the gauge distance "S" (Fig. 2) and the operation of the latch mechanism.

## CAUTION

APPROPRIATE END FITTINGS MUST BE CORRECTLY ATTACHED TO THE FUSE UNIT BEFORE IT CAN BE PROPERLY INSTALLED IN A MOUNTING.



Type	Dimensions	Voltage Rating (K.V.)									
		7.5	15	23	34.5	46	69	92	115	138	
DBA-1	C	13 5/8	17 1/8	21 5/8	28 5/8	34 1/8	44	-	-	-	
	S	15 1/4	18 3/4	23 1/4	30 1/4	35 3/4	45 5/8	-	-	-	
DBA-2	C	-	-	-	27 7/8	33 3/8	43 3/8	51 3/4	61 3/4	71 3/4	

Fig. 2

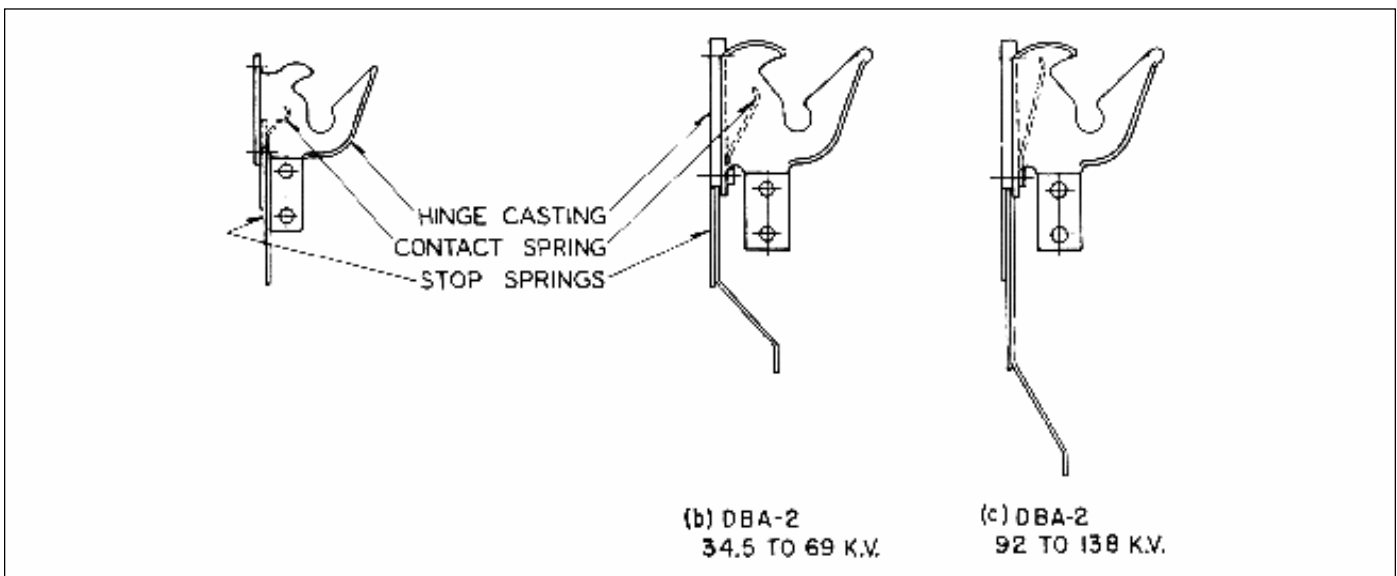


Fig. 3

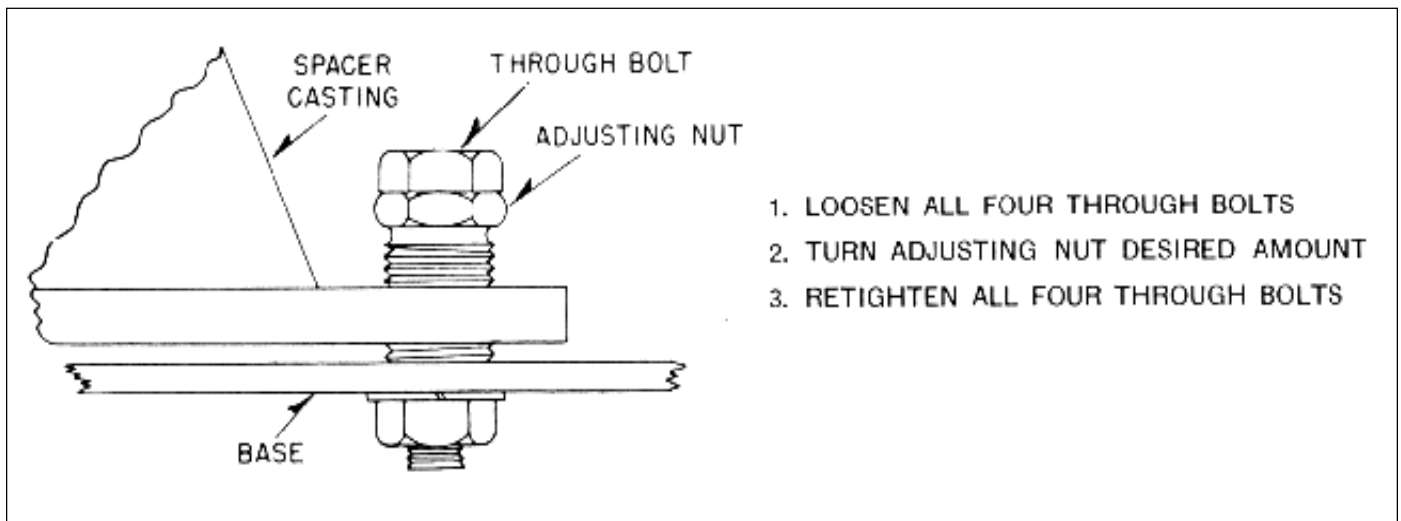


Fig. 4

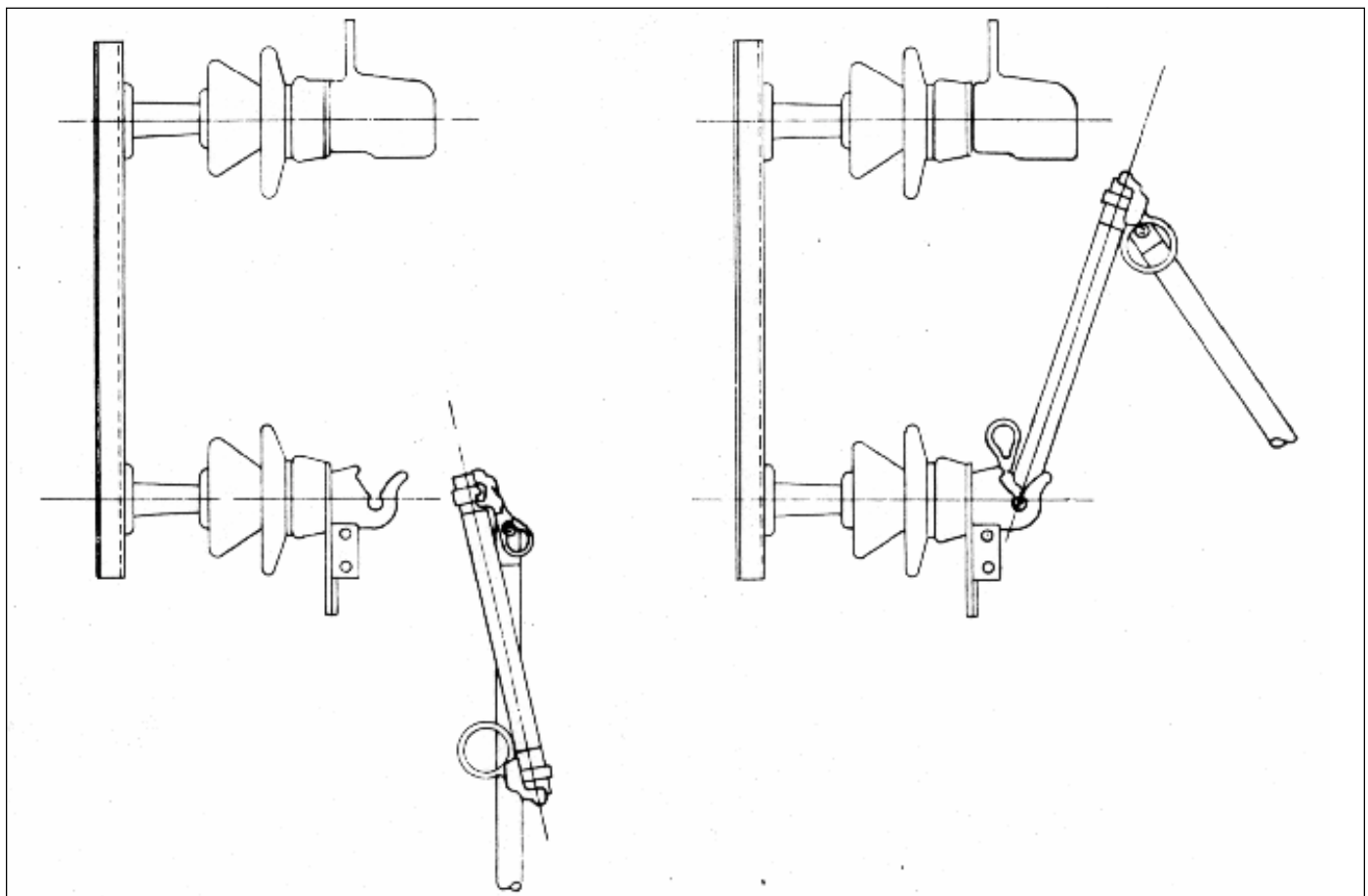


Fig. 5

# Cutler-Hammer

Pittsburgh, Pennsylvania U.S.A.

---

Publication No. I.L. 36-850-1B  
September 2000  
Printed in U.S.A./CJH

