



Instructions for Mounting Auxiliary Switch on Type DS Switches, 30, 60 and 100 Amperes

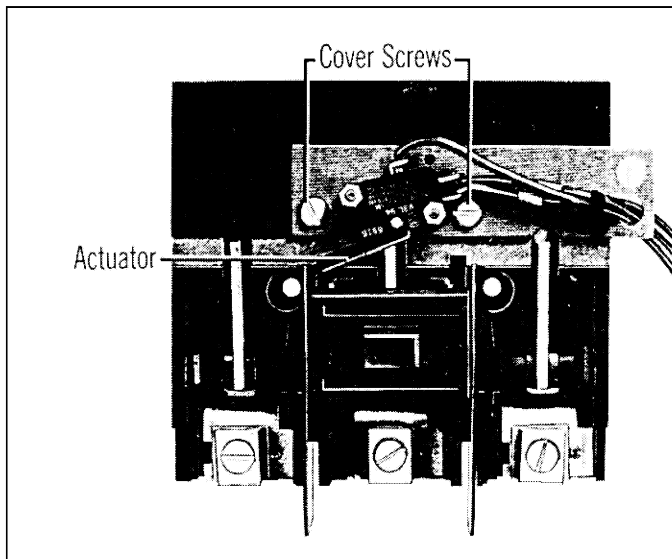


Fig. 1 Typical Installation of 1A - 1B Auxiliary Switch

An auxiliary switch is installed on the disconnect switch to operate relay, control or indicating light circuits simultaneously with the operation of the disconnect. The auxiliary switch is designed to break the control circuit before the disconnect opens.

The auxiliary switch consists of a 3 terminal, single pole, double-throw switch with three 24-inch color-coded wire leads connected to the terminals. Black is common, Blue is normally closed and Red is normally open when the switch is "OFF".

The electrical rating of auxiliary switch is 15 Amp, 1/3 Hp, 125 or 250 Volts Ac; 1/2 Amp, 125 Volts Dc; 1/4 Amp 250 Volts Dc; 5 Amp 120 Volts Ac "L".

MOUNTING INSTRUCTIONS



CAUTION

DO NOT OVERTURN THE DISCONNECT SWITCH WITH THE COVER REMOVED AS THE BARRIERS FIT LOOSELY UNDERNEATH THE COVER AND MAY FALL OUT IF THE SWITCH IS OVERTURNED.

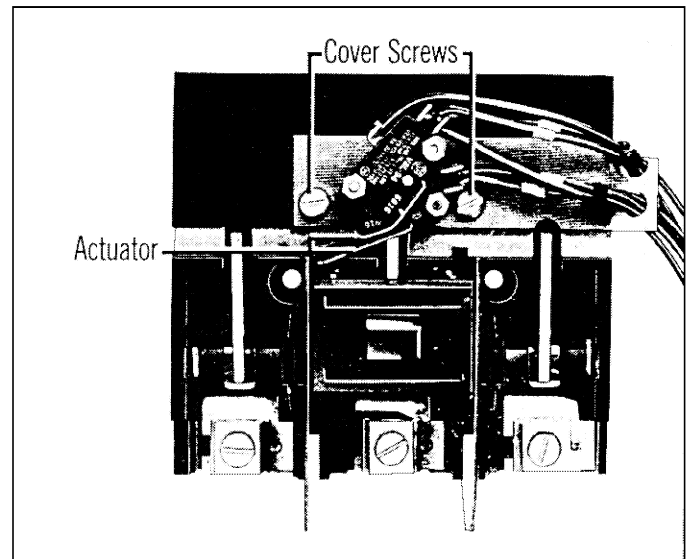


Fig. 2 Typical Installation of 2A - 2B Auxiliary Switch

1. Remove two covers screws from the DS switch but leave the cover and lineshield in place. See Figure 1 or 2.
2. Auxiliary switch kit should be received with switch(es), leads, etc., assembled. Be certain that all hardware of assembly is tight.
3. Line up holes (2) of the auxiliary switch's mounting plate with holes in the cover and re-assemble cover screws.
4. As a precautionary measure, test the auxiliary switch with a test light - to insure that switch contacts are "MAKING" or "BREAKING" properly. Throw disconnect switch "ON" and "OFF." If an adjustment is necessary, bend actuator. A "click" will be heard from the Auxiliary Switch when it is operating properly.

Cutler-Hammer

Beaver, Pennsylvania U.S.A.

Effective September 1997 Style No. 69C0601H04
Printed in U.S.A./CCI

