

Westinghouse



## Dc Magnetic Contactors Type M and MD

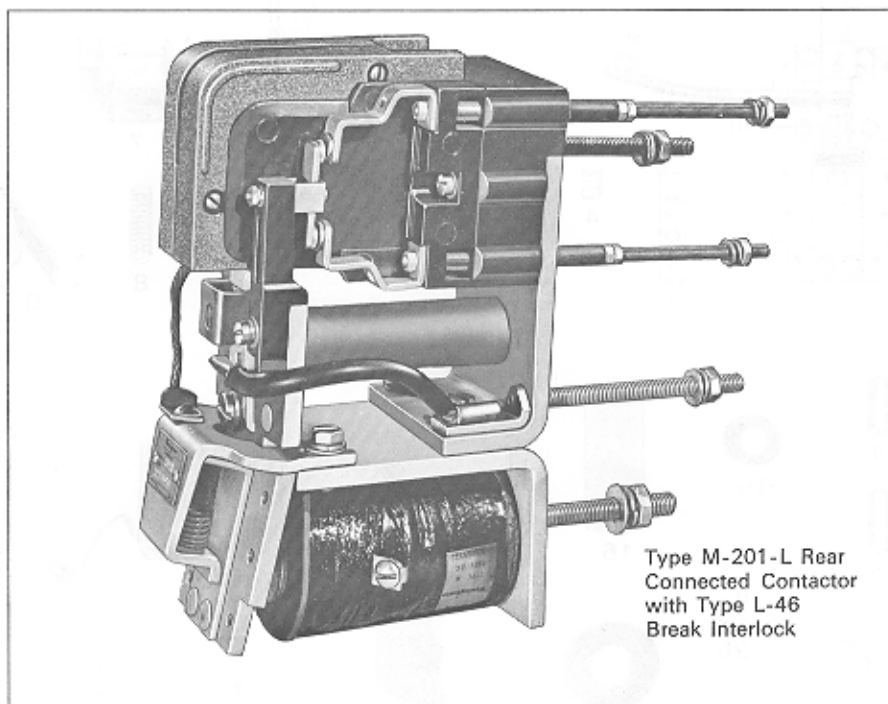
Single Pole, Spring Closed  
Frames 001, 101, 201

### Ordering Information

- Give style number and name the part.
- Give the complete nameplate reading.
- State method of shipment desired.
- Send all orders or correspondence to nearest sales office of the Company.

### Operating Coils

Voltage	Style Number of Coils	
	Type M-201-S	Type M-001-2H, M-101-2H, M-201-L, M-201-2H, MD-001, MD-101, MD-201
115	1289 390	1289 375
230	1289 391	1289 376
550	.....	1289 377



Type M-201-L Rear  
Connected Contactor  
with Type L-46  
Break Interlock

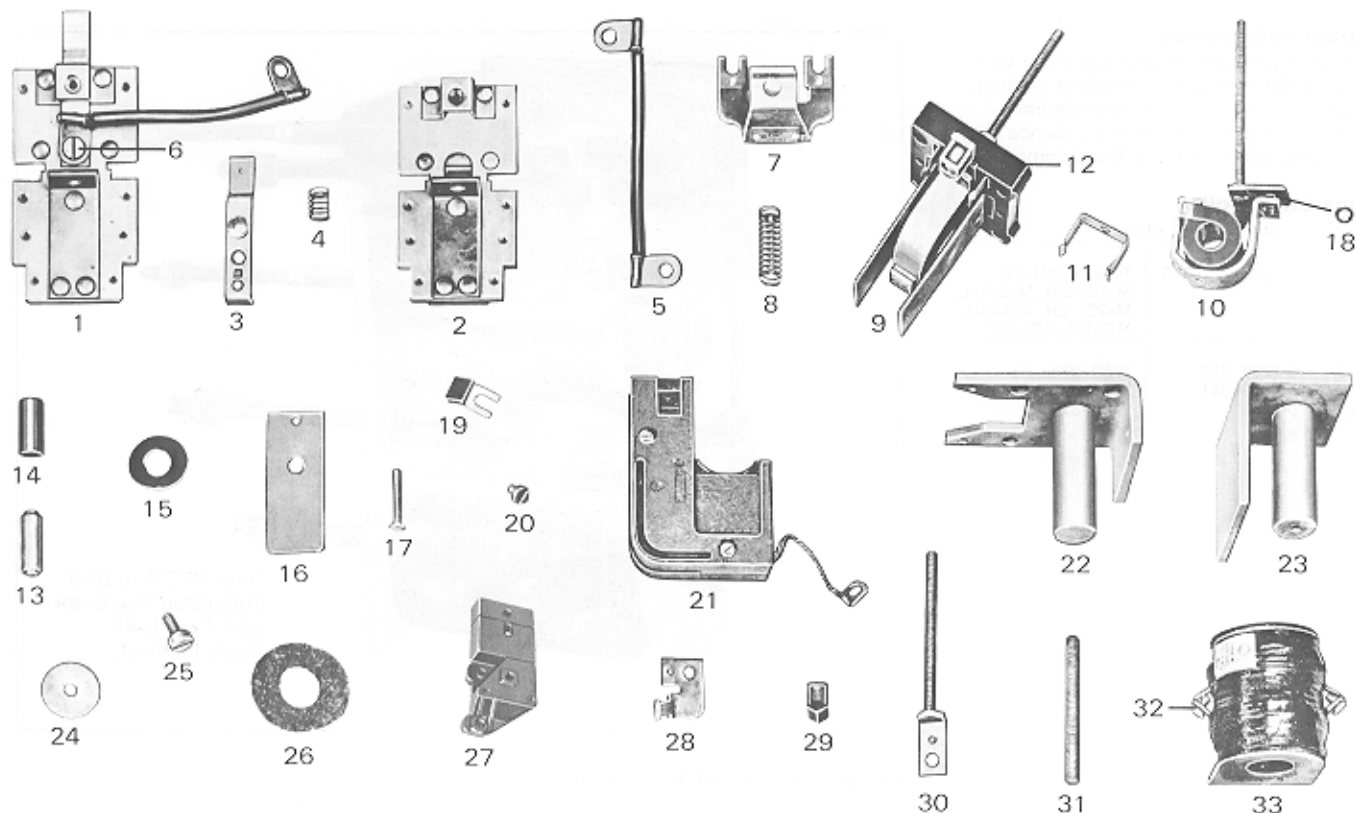
### Contactors without Operating Coil

Style Number	Type	Contact Width		Rating	
		$\frac{1}{8}$ Inch	$\frac{1}{4}$ Inch	Insulation Volts	Blowout Amperes
<b>Front Connected</b>					
1289 055 to C	M-201-S	.	X	250	50
1289 057 to C	M-201-L	.	X	250	50
1289 059 to G	M-201-2H	.	X	600	50
1399 363 to D	M-001-2H	X	.	600	10
1399 364 to D	M-001-2H	X	.	600	5
1419 180 to C	M-101-2H	X	.	600	25
493A570G01	MD-001	X	.	600	5
493A570G02	MD-001	X	.	600	10
493A570G03	MD-101	X	.	600	25
493A570G04	MD-201	.	X	600	50
<b>Rear Connected</b>					
1289 056 to C	M-201-S	.	X	250	50
1289 058 to C	M-201-L	.	X	250	50
1289 060 to H	M-201-2H	.	X	600	50
1311 984 to E	M-001-2H	X	.	600	5
1315 198 to G	M-001-2H	X	.	600	10
1399 361 to C	M-101-2H	X	.	600	25

Westinghouse



Westinghouse



Style Number of Contactor

Style Number of Variable Parts

Style Number of Contactor	Frame with Core		Stationary Contact Base Parts		
	Upper	Lower	Complete - Less Contact	Blowout Coil	Base
1289 056	1344 147	1289 046	1257 435	1257 361	1257 352
1289 056	1344 147	1289 046	1257 437	1257 360	1257 352
1289 057	1344 148	1289 047	1257 436	1257 361	1257 351
1289 058	1344 148	1289 047	1257 438	1257 360	1257 351
1289 059	1344 148	1289 047	1257 436	1257 361	1257 351
1289 060	1344 148	1289 047	1257 438	1257 360	1257 351
1311 984	1344 148	1289 047	1310 162	1310 158	1257 351
1315 198	1344 148	1289 047	1310 164	1310 160	1257 351
1399 361	1344 148	1289 047	1289 223	1289 217	1257 351
1399 363	1344 148	1289 047	1310 163	1310 159	1257 351
1399 364	1344 148	1289 047	1310 161	1310 157	1257 351
1419 180	1344 148	1289 047	1289 221	1289 218	1257 351
493A570G01	1344 148	1289 047	.....	878D422G01	1257 351
493A570G02	1344 148	1289 047	.....	878D422G02	1257 351
493A570G03	1344 148	1289 047	.....	878D422G03	1257 351
493A570G04	1344 148	1289 047	.....	878D422G04	1257 351

Westinghouse



## Dc Magnetic Contactors Type M and MD

Single Pole, Spring Closed  
Frames 001, 101, 201

Ref. No.	Description of Part	Style Number of Part				No. Used
		Type M Contactor		Type MD Contactor		
		$\frac{1}{8}$ Inch Contact Width	$\frac{1}{8}$ Inch Contact Width	$\frac{1}{8}$ Inch Contact Width	$\frac{1}{8}$ Inch Contact Width	
1	Armature complete	1397 938	1397 937	1397 938	1397 937	1
2	Bare armature	1289 054	1289 054	1289 054	1289 054	1
3	Moving contact finger	1289 470	1257 380	1289 470	1257 380	1
4	Contact spring	1289 444	1289 440	1289 444	1289 440	1
5	Shunt	302B708G01	302B708G01	302B708G01	302B708G01	1
6	Shunt screw	1355 076	1355 076	1355 076	1355 076	1
7	Armature stop	1397 928	1397 928	427C696G23	427C696G23	1
8	Closing spring	1289 443	1289 443	1289 443	1289 443	1
9	Stationary contact base	See page 2	See page 2	See page 2	See page 2	1
10	Blowout coil	See page 2	See page 2	See page 2	See page 2	1
11	Clip for arc box	1257 466	1257 466	1257 466	1257 466	1
12	Base	See page 2	See page 2	See page 2	See page 2	1
13	Core for blowout	1257 371②	1257 371②	1257 371	1257 371	1
14	Insulation tube	1257 373②	1257 373②	1257 373	1257 373	1
15	Insulation washer	1257 374	1257 374	1257 374	1257 374	2
16	Pole piece - tapped	1257 366	1257 366	1257 366	1257 366	1
16	Pole piece - drilled	1257 367	1257 367	1257 367	1257 367	1
17	Screw for pole piece .190-32 x 1 $\frac{1}{2}$ in. fl. hd. br. ma. sc.	std. hdwr.	std. hdwr.	std. hdwr.	std. hdwr.	1
18	Insulation washer	208A560H05	208A560H05	208A560H05	208A560H05	1
19	Stationary contact	1289 471	1257 381	1289 471	1257 381	1
20	Stationary contact screw	1355 076	1355 076	1355 076	1355 076	1
21	Arc box complete	1257 441	1257 443	1257 441	1257 443	1
22	Frame with core - upper	See page 2	See page 2	1344 148	1344 148	1
23	Frame with core - lower	See page 2	See page 2	1289 047	1289 047	1
24	Pole face - lower	1257 462	1257 462	1257 462	1257 462	1
25	Pole face screw - lower	1256 529	1256 529	1256 529	1256 529	1
26	Coil washer - lower	1486 999	1486 999	1486 999	1486 999	1
27	Base insulation	.....	.....	877D102H01	877D102H01	1
28③	Connection clip	1257 356	1257 356	.....	.....	1
29③	Solderless connector	1367 770	1367 770	.....	.....	2
①	Bent connector	.....	.....	659C302H06	659C302H06	1
30④	Connection stud with clip	1257 362	1257 362	.....	.....	1
31	Mounting stud	1823 914	1823 914	.....	.....	1
32	Coil terminal screw	970 315	970 315	970 315	970 315	2
33	Operating coil	⑤	⑤	⑤	⑤	1
—	Contact kit⑥	1620 041	1620 042	1620 041	1620 042	1

Parts indented are included in the part under which they are indented.

① Not illustrated.

② Used only in contactors with 25 or 50 ampere blowout coil.

③ Used only on front connected contactors.

④ Used only on rear connected contactors.

⑤ When ordering specify identification number on old coil. See table for commonly used coils on page 1.

⑥ One pole kit of normal wearing parts.

### One Pole Kit of Normal Wearing Parts

A set of normal wearing parts, readily stocked and identified, is the best insurance against prolonged shutdown. The kit consists of one set of contacts and contact spring packaged in a single carton. It is more economical to purchase these parts in this convenient, easily identified spare parts kit.

