



Syntron® Vibrating Tables

Advanced Technology for Performance Excellence

Syntron® Electromagnetic Vibrating Tables

Settle and compact bulk materials in containers

Syntron® Vibrating Tables are designed to settle and compact dry bulk materials in various types of containers. Their application provides either a sizable increase in the net weight of the container or a reduction in the container size with subsequent savings in shipping and storage space.

Syntron Vibrating Tables are available in three types: electromagnetic, electromechanical and pneumatic. The choice of the proper type and model depends upon the characteristics of the materials or objects being handled and its reaction to vibration, the maximum weight to be handled and the type of container.

Syntron Electromagnetic Vibrating Tables are the most versatile and widely used Vibrating Tables in our line. The high-speed (3600 vpm) of these tables, coupled with a controlled low-amplitude that does not exceed 1/16-inch linear vibration, produces a gentle settling action. Through that action the co-efficient of friction of the material is reduced. As the particles settle, the entrapped air is more readily removed.

The amplitude of the vibration can be regulated to suit the characteristics of the material being handled. The rheostat to control this is built into Models J-1 and J-50. These units are used primarily for laboratory and light duty packing applications. On the Models VP-51 through VP-500, the rheostat is part of a separate control box. This allows remote control, when desirable. Models VP-51 through VP-500 are heavy-duty industrial units, designed with sturdy steel framework and decks.



Model VP-51



Model J-1



Model J-50

Syntron® Electromagnetic Vibrating Tables

Specifications

Model	Deck size (inches)	Capacity	Watts	Amps 115/60	Shipping weight
J-1	7 x 10	10 lbs	50	1.0	23 lbs
J-50	14 x 20	50 lbs	40	4.0	100 lbs
J-50	17 x 20	50 lbs	40	4.0	100 lbs
VP-51	20 x 20	300 lbs	100	4.5	190 lbs
VP-181	30 x 30	750 lbs	800	12.0*	605 lbs
VP-500	32 x 40	1000 lbs	2000	35.0*	2200 lbs

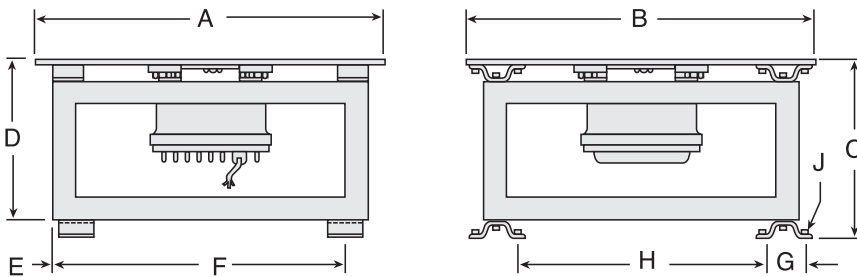
* Amps at 230 volt, 60 cycle

Dimensions (inches)

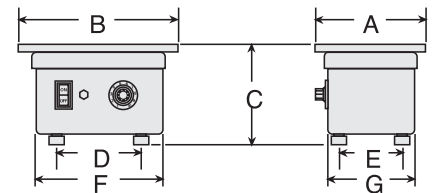
Model	A	B	C	D	E	F	G	H	J
J-1	7	10	6 1/8	6 3/4	3 1/2	8	5 1/2	--	--
J-50 (14 X 20)	14	20	7 1/2	9 5/8	11 5/8	13 5/8	15 5/8	--	--
J-50 (17 X 22)	17	22	7 5/8	9 5/8	11 5/8	13 5/8	15 5/8	--	--
VP-51	20	20	10	8 5/8	1	17	3 9/16	11 1/16	13/32
VP-181	30	30	21	19 5/8	2	23	3 9/16	21 1/2	3/8
VP-500	40	32	27 3/4	--	--	32	--	24 1/2	7/8

Have dimensions certified for installation purposes

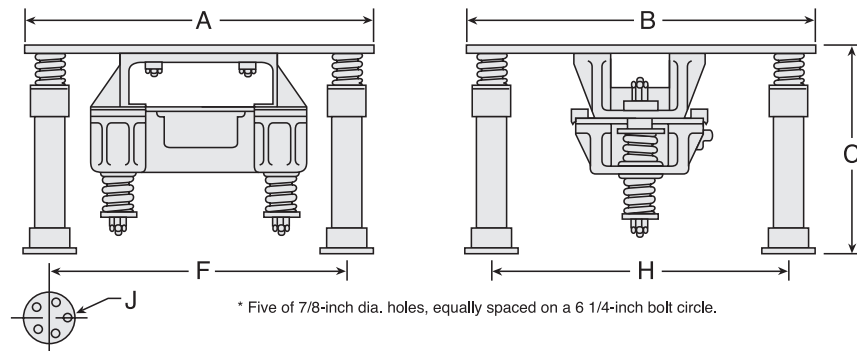
Models VP-51, VP-181



Model J-1

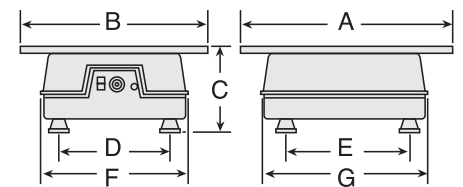


Model VP-500



* Five of 7/8-inch dia. holes, equally spaced on a 6 1/4-inch bolt circle.

Model J-50



Caution: Syntron® Electromagnetic Vibrating Tables must be installed, operated and maintained in accordance with accompanying FMC Technologies Service Instructions. Failure to follow these instructions can result in serious personal injury, property damage or both. FMC Technologies Service Instructions accompany the shipment of equipment.

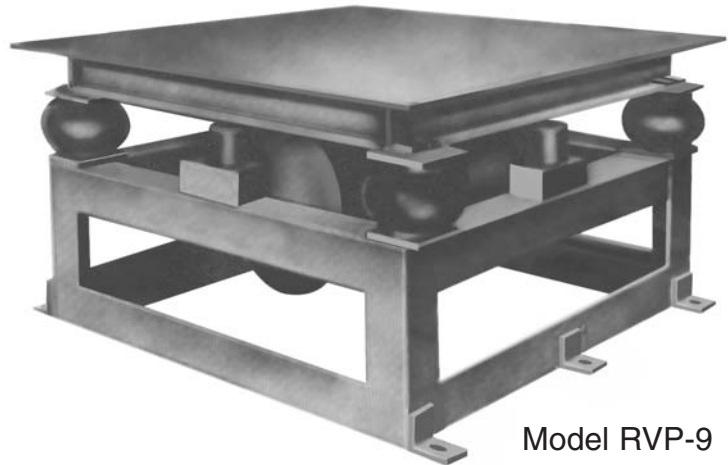
Syntron® Electromechanical Vibrating Tables

Settle and compact bulk materials in containers

The vibratory motion of Syntron® Electromechanical Vibrating Tables is particularly suited for settling granular to coarse materials. It is also very effective for handling a wide range of metal parts such as nuts, bolts and rivets. In a more unusual application, units settle 4,000-pound coils of strip steel to obtain alignment before transportation and storage.

Electromechanical Vibrating Tables are available in two models with maximum capacities to 12,000 pounds. Electro-mechanical vibrators, with their lower frequency and higher amplitude, produce an elliptical vibratory motion.

The rotary vibrator drives are sturdily constructed and incorporate extra-heavy duty bearings for extended service life. The drives are totally enclosed, dust tight and splash proof. Grease lubrication is through easily accessible fittings.



Model RVP-9

Specifications

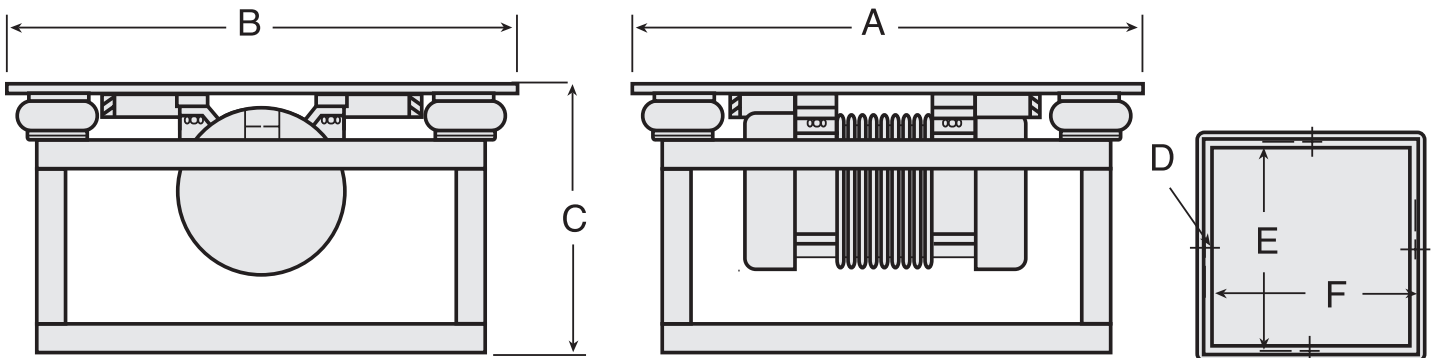
Model	Deck size Inches	Capacity	VPM	Amps	Shipping weight
RVP-9	48 x 48	4000 lbs.	900	17.0	1800 lbs
RVP-99	48 x 48	12000 lbs.	900	17.0	1900 lbs

230 volt, 3-phase, 60 cycle.

Dimension in inches

Model	A	B	C	D	E	F
RVP-9	48	48	27	1 1/8	38 1/2	38 1/2
RVP-99	48	48	27	1 1/8	38 1/2	38 1/2

Have dimensions certified for installation purposes.



Syntron® Pneumatic Jolters

Syntron Pneumatic Jolters are recommended for use in volatile operating environments where there is danger of explosion or fire, such as in ordnance plants, or anywhere explosive dust is in the air. Pneumatic Jolters are also used in settling fine materials such as pigments, dyes, aluminum dross, heavy powdered metals and even coarse shredded coconut.

Jolters operate from pressurized air, lifting the deck plate and its load a short distance to drop it with a sharp jolt, 100 to 400 times a minute. The frequency of those drops is easily adjusted.

Two models are available. Capacities are 250 and 700 pounds. Each Jolter is supplied complete with operating valve, strainer and a short hose connection.

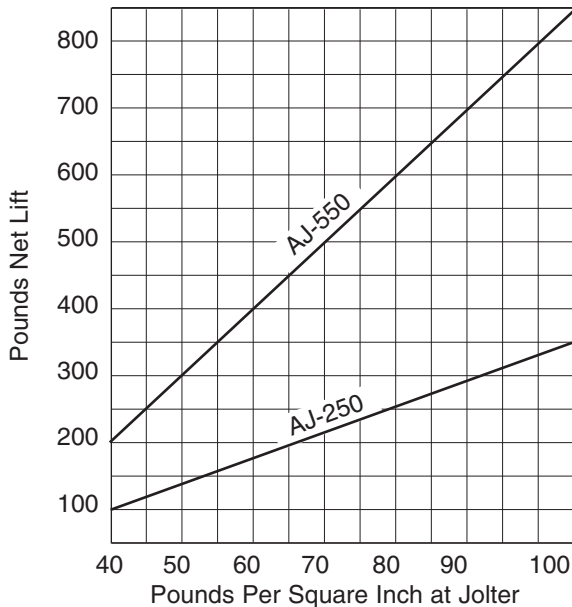


Specifications

Model	AJ-250	AJ-550
Capacity Lift	250 lbs	700 lbs
Deck Dimensions	20" Dia	30" x 30"
Overall Height	12 1/2"	13 3/4"
Base Dimensions, Dia	12"	18"
Cu Ft Free Air Per Minute	4	10
Net Weight	150 lbs	310 lbs
Shipping Weight	185 lbs	420 lbs

At 90 lbs pressure

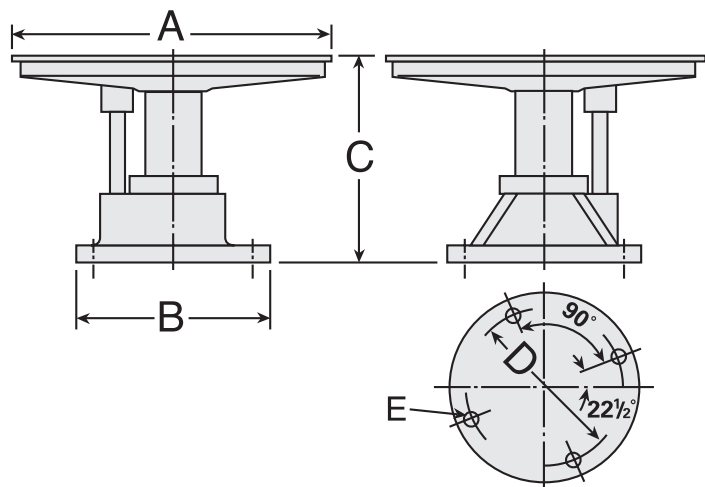
Capacities of Jolters



Dimensions in inches

Model	A	B	C	D	E
AJ-250	20 dia	12 dia	12 1/2	10 dia	3/4 dia
AJ-550	30 sq	18 dia	13 3/4	15 dia	3/4 dia

Have dimensions certified for installation purposes.



Caution: Syntron® Electromechanical Vibrating Tables and Pneumatic Jolters must be installed, operated and maintained in accordance with accompanying FMC Technologies Service Instructions. Failure to follow these instructions can result in serious personal injury, property damage or both. FMC Technologies Service Instructions accompany the shipment of equipment.



Link-Belt® Products

- Belt Conveyor Idlers
- Idler Rolls
- Scavenger™ Belt Conveyor Cleaners
- Screw Conveyors
- Bucket Elevators
- Link-Belt® Component Parts
- Heavy-Duty Vibrating Feeders
- Vibrating Screens
- Grizzly Bar Screens
- Vibrating Conveyors

Syntron® Products

- Heavy-Duty Vibrating Feeders
- Vibrating Screens
- Grizzly Bar Screens
- Vibrating Conveyors
- Light-Duty Vibrating Feeders
- Vibra-Drive Units
- Volumetric Feeder Machines
- Screening Feeders
- Bin Vibrators
- Packing Tables
- Paper Joggers
- Syntron Component Parts

FMC Technologies, Inc.
Material Handling Solutions
PO Box 1370
Tupelo, MS 38802
Tel: 662-869-5711
Fax: 662-869-7493
Toll Free: 800-356-4898
Email: mhsol.info@fmcti.com

FMC Technologies, Inc.
2# Road No. 1
Changshu Export Processing Zone
Changshu, Jiangsu
China 215513
Tel: 86-0512-52299002
Fax: 86-0512-52297228
Email: mhsolchina.info@fmcti.com

FMC Technologies Chile Ltda.
Callao 2970
Office 704
Las Condes, Santiago, Chile
Tel: 56 2 234 4418
56 2 246 4361
Fax: 56 2 232 0825
Email: fmc@entelchile.com

Material Handling Solutions Technisys

479 West 900 North
North Salt Lake, UT 84054
Tel: 801-296-9500
Fax: 801-296-9601
Email: mhsol.info@fmcti.com

**We put you first.
And keep you ahead.**

www.fmctechnologies.com/materialhandling

© 2008 • FMC Technologies, Inc.
Form No. VBTPDF-o8 Printed in U.S.A

QUALITY MANAGEMENT SYSTEM
CERTIFIED BY DNY
