



| MODEL NUMBER | DESCRIPTION  |
|--------------|--|
| AV1-024A     | Light/sounder combination, flashing, 24VAC/DC, amber |
| AV1-024B     | Light/sounder combination, flashing, 24VAC/DC, blue  |
| AV1-024C     | Light/sounder combination, flashing, 24VAC/DC, clear |
| AV1-024G     | Light/sounder combination, flashing, 24VAC/DC, green |
| AV1-024R     | Light/sounder combination, flashing, 24VAC/DC, red   |
| AV1-120A     | Light/sounder combination, flashing, 120VAC, amber   |
| AV1-120B     | Light/sounder combination, flashing, 120VAC, blue    |
| AV1-120C     | Light/sounder combination, flashing, 120VAC, clear   |
| AV1-120G     | Light/sounder combination, flashing, 120VAC, green   |
| AV1-120R     | Light/sounder combination, flashing, 120VAC, red     |
| AV1ST-024A   | Light/sounder combination, strobe, 24VDC, amber      |
| AV1ST-024B   | Light/sounder combination, strobe, 24VDC, blue       |
| AV1ST-024C   | Light/sounder combination, strobe, 24VDC, clear      |
| AV1ST-024G   | Light/sounder combination, strobe, 24VDC, green      |
| AV1ST-024R   | Light/sounder combination, strobe, 24VDC, red        |
| AV1ST-120A   | Light/sounder combination, strobe, 120VAC, amber     |
| AV1ST-120B   | Light/sounder combination, strobe, 120VAC, blue      |
| AV1ST-120C   | Light/sounder combination, strobe, 120VAC, clear     |
| AV1ST-120G   | Light/sounder combination, strobe, 120VAC, green     |
| AV1ST-120R   | Light/sounder combination, strobe, 120VAC, red       |

## Flashing Combination Audible/Visual Signal Model AV1



SHORT SELLING STORY

### AV1 IS IDEAL FOR

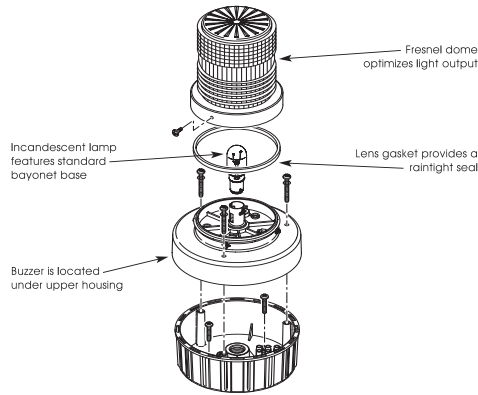
- Attention-getting impact
- Active warning applications
- Economical signaling

# AV1

## AV1

- 24VDC and 120VAC
- 100% polycarbonate housing
- 5 dome colors—amber, blue, clear, green, and red
- Unique twist-off lens for easy access to lamp
- 3 mounting configurations: surface mount, integrated 1/2" pipe mount, 4" electrical box mount
- Synchronized flash and buzzer (at 75 times per minute)
- Internal buzzer Produces 85dB at 10 feet (95dB at 1 meter)

- Type 3R enclosure (protection against falling dirt, rain, sleet, snow, and windblown dust)
- UL and cUL Listed, CSA Certified



## FEATURES

- Produces both light and sound
- Twist-off lens
- Five colors available
- Type 3R for indoor and outdoor
- Three mounting options
- 5-year warranty

## BENEFITS

- Highly effective at gaining attention
- Tool-less lamp replacement & easy maintenance
- Signal 5 events
- Suitable for outdoor use
- Application flexibility
- Peace of mind

## APPLICATIONS

- Conveyors
- Luggage carousels
- Parking ramp sidewalk warning
- Warehouses
- High-traffic areas
- Process control



## POSSIBLE CUSTOMERS

- OEM
- MRO
- Airport maintenance
- Panel builders
- Systems designers



## COMPETITIVE ADVANTAGES

- All-polycarbonate construction
- Tool-free lamp replacement
- Dependability
- Clarity of signal
- 5-year warranty

