



MODEL NUMBER	DESCRIPTION
121-012A	Rotating Light, 12VDC, magnetic mount, amber
121-012B	Rotating Light, 12VDC, magnetic mount, blue
121-012C	Rotating Light, 12VDC, magnetic mount, clear
121-012G	Rotating Light, 12VDC, magnetic mount, green
121-012R	Rotating Light, 12VDC, magnetic mount, red
121A-012A	Rotating Light, 12VDC, surface mount, amber
121A-012B	Rotating Light, 12VDC, surface mount, blue
121A-012C	Rotating Light, 12VDC, surface mount, clear
121A-012G	Rotating Light, 12VDC, surface mount, green
121A-012R	Rotating Light, 12VDC, surface mount, red
121A-024A	Rotating Light, 24VDC, surface mount, amber
121A-024B	Rotating Light, 24VDC, surface mount, blue
121A-024C	Rotating Light, 24VDC, surface mount, clear
121A-024G	Rotating Light, 24VDC, surface mount, green
121A-024R	Rotating Light, 24VDC, surface mount, red
121S-120A	Rotating Light, 120VAC, pipe mount, amber
121S-120B	Rotating Light, 120VAC, pipe mount, blue
121S-120C	Rotating Light, 120VAC, pipe mount, clear
121S-120G	Rotating Light, 120VAC, pipe mount, green
121S-120R	Rotating Light, 120VAC, pipe mount, red
121S-120A-P10	Rotating Light, 120VAC, pipe mount, amber Masterpack of 10
121S-120R-P10	Rotating Light, 120VAC, pipe mount, red Masterpack of 10

## Vitalite<sup>®</sup> Rotating Warning Light Models 121, 121A and 121S

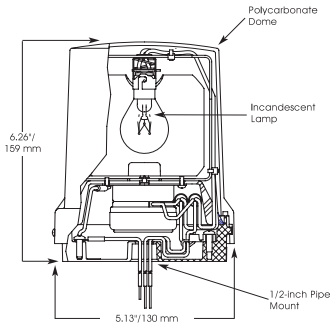


SHORT SELLING STORY

### ROTATING LIGHTS ARE IDEAL FOR USE IN

- Direct sunlight
- Active warning applications
- High ambient noise areas
- Machine start-up/shut down notification
- Hosedown applications

**121**  
**121A**  
**121S Series**



**121**

- 12VDC with cigarette lighter, cord & plug
- Magnetic Mount
- Type 3R (due to cord)

**121A**

- 12VDC and 24VDC
- Integrated 1/2" pipe and surface mount
- Type 4X

**121S**

- 120VAC
- Integrated 1/2" pipe and surface mount
- Type 4X

**FEATURES**

**BENEFITS**

<ul style="list-style-type: none"> <li>• 40 watt lamp</li> <li>• Rough service lamp</li> </ul>	<ul style="list-style-type: none"> <li>• High power, visibility</li> <li>• Long life reduces maintenance cost/downtime</li> </ul>
<ul style="list-style-type: none"> <li>• Type 4X watertight, dusttight, corrosion resistant housing</li> <li>• Integral 1/2 inch pipe mount/3 hole surface mount</li> <li>• Twist-off lens</li> </ul>	<ul style="list-style-type: none"> <li>• Suitable for food processing and washdown applications</li> <li>• Increase mounting options/flexibility</li> <li>• Tool-less lamp replacement/easy maintenance</li> </ul>
<ul style="list-style-type: none"> <li>• High quality synchronous clock motor</li> <li>• 5 colors available</li> <li>• 12VDC, 24VDC, 120VAC available</li> <li>• Available in multi-pack of 10</li> <li>• Agency approved</li> <li>• 5-year warranty</li> </ul>	<ul style="list-style-type: none"> <li>• Consistent flash rate/less downtime</li> <li>• Signal 5 events</li> <li>• Meets any voltage requirement</li> <li>• Cost savings for volume purchase</li> <li>• Meets electrical requirements</li> <li>• Peace of mind</li> </ul>

**APPLICATIONS**

- Material handling
- Process control
- Packaging equipment
- Food processing
- Conveying equipment
- Hosedown environments
- Amusement park equipment
- Arcade games
- Fleet vehicles



**POSSIBLE CUSTOMERS**

- OEM
- Integrators
- MRO requirements
- System designers
- Panel builders



**COMPETITIVE ADVANTAGES**

- Long lamp life
- Long life syncromotor
- Lexan dome
- Tool-free lamp replacement
- Type 4X
- 5-year warranty

