

Class 58

Class 58, Furnas Brand Drum Controllers start, stop and change the speed and/or rotating direction of reversible AC and DC electric motors.

Most controllers are available in NEMA 1 or NEMA 4 enclosures.

The Compact A Series of controllers offers Reversing, Two Speed and Two Speed Reversing controls in NEMA 1 enclosures for applications where space may be restricted. NEMA 3R available.

Note: To prevent unintentional operation, OSHA regulations and local installation codes may require guarding of handles. Consult these requirements prior to selecting a drum switch or handle.

The simple yet rugged construction of Furnas Brand drum controllers make these ideal for applications such as:

- Boat Hoists
- Doors
- Metal and Woodworking Machinery
- Conveyors

Auxiliary Equipment

A variety of handle styles are available as Field Modifications.

The Compact A Series offers modifications to accommodate flush and surface mounting.

Furnas Brand Class 58 Drum Controllers Standard Features include:

- Rated to 10 HP 600V
- Easy Terminal Access
- Heavy Duty Contacts
- Choice of Handle Kits
- Variety of Mounting Accessories
- Variety of Enclosures NEMA 1, NEMA 3R, NEMA 4
- UL Listed E10590
- CSA Certified LR6535





Class 58 Drum Controller

Ordering Information

- Dimensions see page 4
- Wiring Diagram see pages 5-6
- **Reference the Internal Connections Diagram in the Wiring Diagrams Section to insure the selected switch will work with the motor being used**
- Field Replacement Handles and Parts Kits see page 3
- Application Data see page 1

Drum Controller, 1 Phase and 3 Phase - Class 58

DISCOUNT CODE FP

Type/Purpose	Max HP						Wiring Diagram Figure	Enclosure			
	1 Phase Volt AC			3 Phase Volts AC		Volt DC		NEMA 1 General Purpose		NEMA 4 Watertight	
	120V	240V	480V	240V	480-600V	120-240V		Catalog Number	Price	Catalog Number	Price
Reversing/Maintaining	1½	2	-	2	1	¼	1	58R327T ¹	\$175	WR327A ¹	\$300
Reversing/Maintaining	1½	2	-	2	2	¼	2	58R44 ²	\$175	WR44 ¹	\$300
Reversing/Maintaining	1½	2	3	3	3	1	2	J2 ²	\$250	WJ2 ²	\$375
Reversing/Maintaining	2	3	-	5	7½	2	2	J5 ²	\$325	WJ5 ²	\$450
Reversing/Maintaining	2	5	7½	7½	7½	2	2	T3F (T3) ²	\$670	-	-
Reversing/Maintaining	3	7½	10	10	10	3	2	TT3 ²	\$870	-	-
Reversing/Maintaining Forward/Momentary-Rev	1½	2	-	2	1	¼	1	58R327R	\$175	-	-
Reversing/Maintaining Forward/Momentary-Rev	1½	2	-	2	2	¼	2	58R44R	\$175	-	-

Drum Controller, 1 Phase and 3 Phase, Compact A Series - Class 58

Type/Purpose	Max HP					Wiring Diagram Figure	Enclosure			
	1 Phase Volt AC			3 Phase Volts AC	Volt DC		NEMA 1 General Purpose		NEMA 3R Watertight	
	120V	240V	480V	240V	120-240V		Catalog Number	Price	Catalog Number	Price
Reversing	1	1	1	1	¼	3	A14	\$87	-	-
Reversing Maintained	1	1	1	1	¼	3	-	-	A14D	\$116
Reversing Momentary	1	1	1	1	¼	3	-	-	A14Y	\$144
On-Off 3PST	1	1	1	1	¼	4	A15	\$87	-	-

Drum Controller, Two Speed, Non-Reversing - Class 58

Type/Purpose	Max HP				Wiring Diagram Figure	Enclosure			
	1 Winding		2 Winding			NEMA 1 General Purpose		NEMA 4 Watertight	
	Constant or Variable Torque 240-260V	Constant HP 240-600V	240-600V	240-600V		Catalog Number	Price	Catalog Number	Price
Two Speed/Non-Reversing	3		-	-	5	JV2	\$360	WJV2	\$485
Two Speed/Non-Reversing	5		-	-	5	JV5	\$590	WJV5	\$715

Drum Controller, Two Speed, Reversing - Class 58

Type/Purpose	Max HP				Wiring Diagram Figure	Enclosure			
	1 Winding		2 Winding			NEMA 1 General Purpose			
	Constant or Variable Torque 240-260V	Constant HP 240-600V	240-600V	240-600V		Catalog Number		Price \$	
Two Speed/ Reversing	-	3	-	-	11	JEH4		\$975	
Two Speed/ Reversing	-	-	-	3	10	JED4		\$750	

Special Applications, 1 Phase and 3 Phase - Class 58

Type/Purpose	Max HP				Wiring Diagram Figure	Enclosure				
	1 Winding		2 Winding			3 Phase Volts AC		Volts DC	NEMA 1 General Purpose	
	120V	240V	240V	480-600V		120V-240V	Catalog No.	Price		
Maintained with Limit Switch Selection	1	1	-	-	6	-	-	-	R2453	\$250
Maintained Magnetic Chuck	-	-	-	-	8	-	-	1500W	J2166A	\$325

The WR327A, WR44 and 58R327T are maintained only. To order momentary controllers use catalog numbers 58R44M, WR327AR, WR44R and 58R327S respectively.

Switch is shipped maintained customer adjustable to momentary.

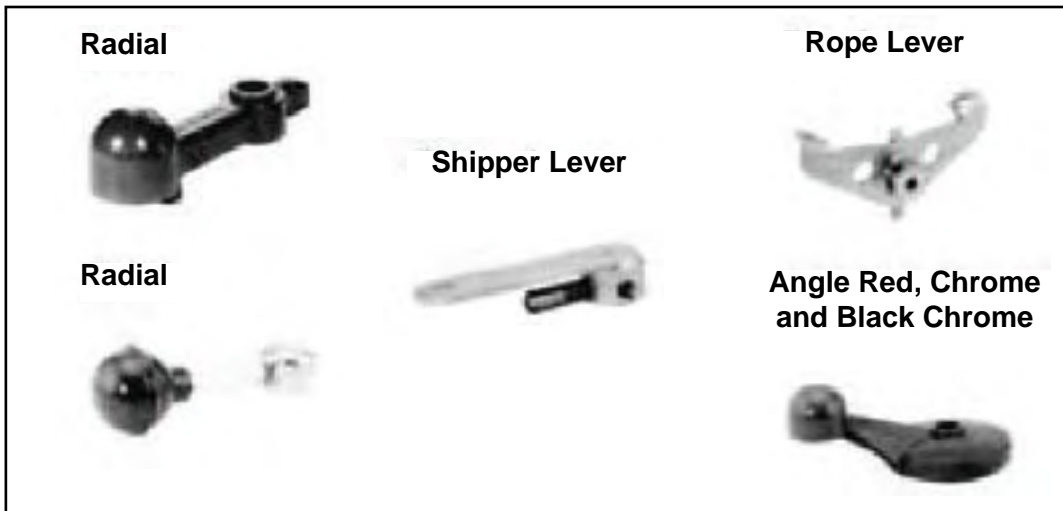
Prices subject to change without notice.



DISCOUNT CODE FP

Controller Prefix	Description	Field Replacement Catalog Number ¹	List Price
A	Radial	75D55711001	\$59
R	Radial	75D55711001	\$59
	Radial	75D32963009	\$59
J	Radial	75D55711001	\$59
	Rope Lever	75D09226001	\$86
	Angle - Red	75D50620002	\$59
WJ	Radial	75D32963025	\$59
WR	Radial	75D32963007	\$59
58R	Angle - Chrome	75D56597001	\$86
	Radial	75D55711001	\$59
	Radial	75D32963009	\$59

¹ For exact replacement ONLY (not all handles are interchangeable). Handles available as field kits only.

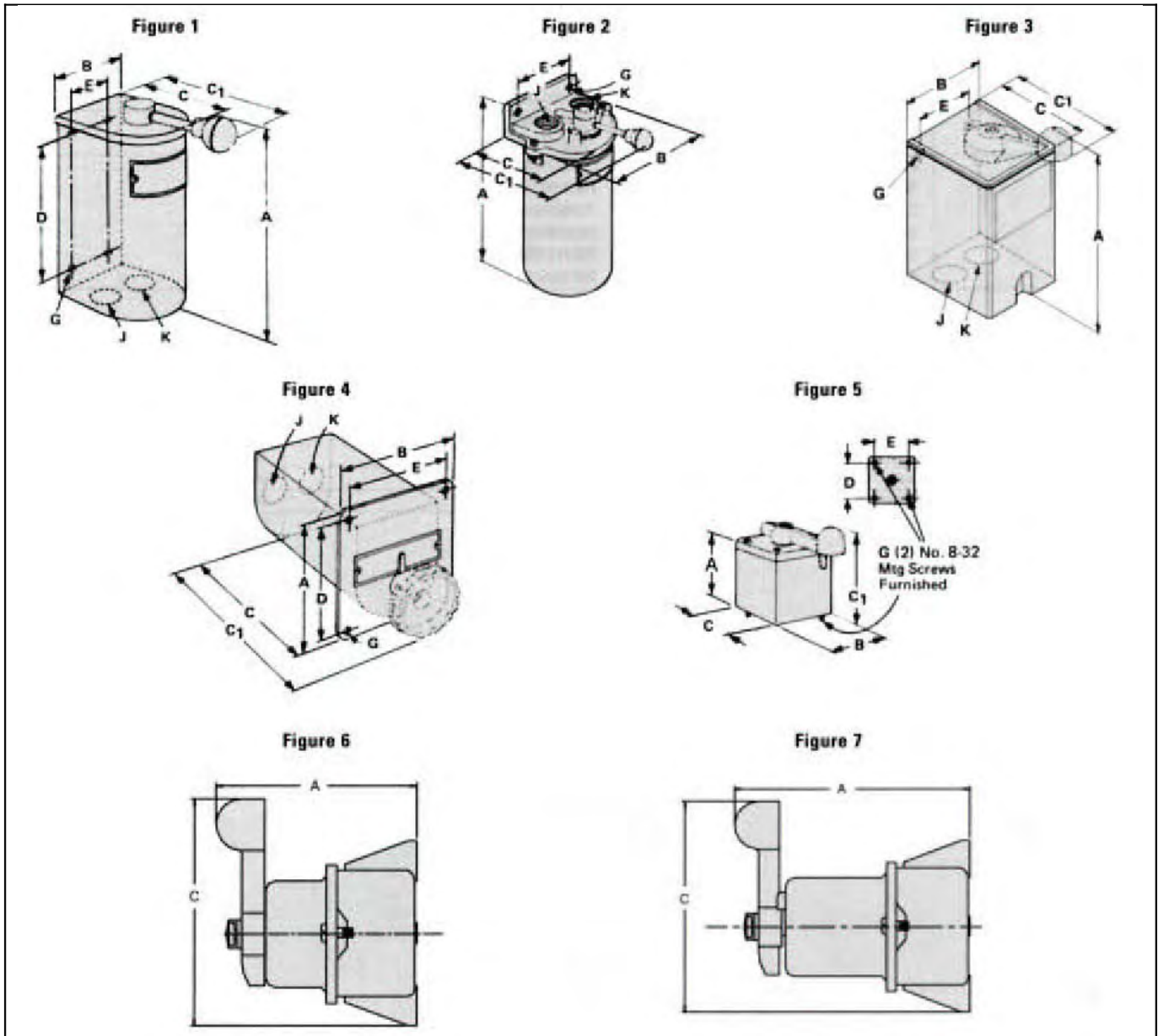


DISCOUNT CODE FP

Drum Controller Number	Catalog Number	List Price
WR44, WR44R	PK4	\$140
J1944, J2, JP2, JT2513, WJ2, WJP2, WJT2	PK20	\$125
EJ5, J1999, J5, JP5, JT2513, JT5, WJ1999, WJ5, WJT5, WJP5	PK21	\$150
JH2, JV2, WJH2, WJV2	PK22	\$175
T3	PK40	\$275
TT3	PK41	\$300

Prices subject to change without notice.





Catalog Number	Figure	Outline Dimensions				Mtg. Dimensions		Mtg. Screw	Conduit Size		Approx. Ship Wt Lbs. (Kg)
		A	B	C	C1	D	E		J	K	
A14, A15, A17	5	2.20 (56)	2.38 (60)	2.38 (60)	3.20 (81)	1 ¹¹ / ₁₆ (43)	1 ¹¹ / ₁₆ (43)	8	-	-	2 (1)
A14D	6	3.89 (99)	-	4.40 (112)	-	-	-	-	-	-	2 (1)
A14Y	7	4.93 (125)	-	4.40 (112)	-	-	-	-	-	-	2 (1)
58R44, 58R327	3	5.25 (133)	2.50 (64)	2.75 (70)	4.38 (111)	-	1 ⁵ / ₈ (41)	¼	½	½	2 (1)
JED4	1	10.50 (267)	3.19 (81)	3.63 (92)	4.69 (119)	7 ¹³ / ₁₆ (198)	2 (51)	¼	¾	½	6 (3)
JEH4	1	12.31 (313)	3.19 (81)	3.63 (92)	4.69 (119)	9 ⁹ / ₁₆ (244)	2 (51)	¼	¾	½	7 (3)
J2, J5, J2166A	1	4.75 (121)	3.19 (81)	3.63 (92)	4.69 (119)	3 ¹³ / ₁₆ (97)	2 (51)	¼	½	½	3 (1)
JV2, JV5	1	7.94 (202)	3.19 (81)	3.19 (81)	4.69 (119)	5 ¹⁵ / ₁₆ (151)	2 (51)	¼	¾	½	4 (2)
R2453	1	4.38 (111)	2.31 (59)	2.94 (75)	4.56 (116)	-	1 ⁵ / ₈ (41)	¼	½	½	2 (1)
TT3	1	9.53 (242)	4.81 (122)	5.53 (141)	6.47 (164)	5 ⁵ / ₈ (143)	3 ³ / ₄ (95)	¼	1¼	1	8 (4)
T3	1	7.56 (218)	4.81 (122)	5.53 (141)	6.47 (164)	5 ⁵ / ₈ (137)	3 ³ / ₄ (95)	¼	1	1	7 (3)
WJ2, WJ5	2	7.63 (194)	5.13 (130)	4.25 (108)	6.13 (156)	-	3 ⁷ / ₁₆ (87)	¾	¾	¾	7 (3)
WJ2V, 2J5V	2	9.00 (229)	5.13 (130)	4.25 (108)	6.13 (156)	-	3 ⁷ / ₁₆ (87)	5 ¹ / ₁₆	¾	¾	7 (3)
WR44, WR44R WR327A, WR327AR	2	5.19 (132)	4.63 (117)	3.75 (95)	5.44 (138)	-	3½ (89)	¼	½	½	5 (2)

Note: Dimensions for reference, not for construction.
Dimensions are in inches (mm).



Figure 1

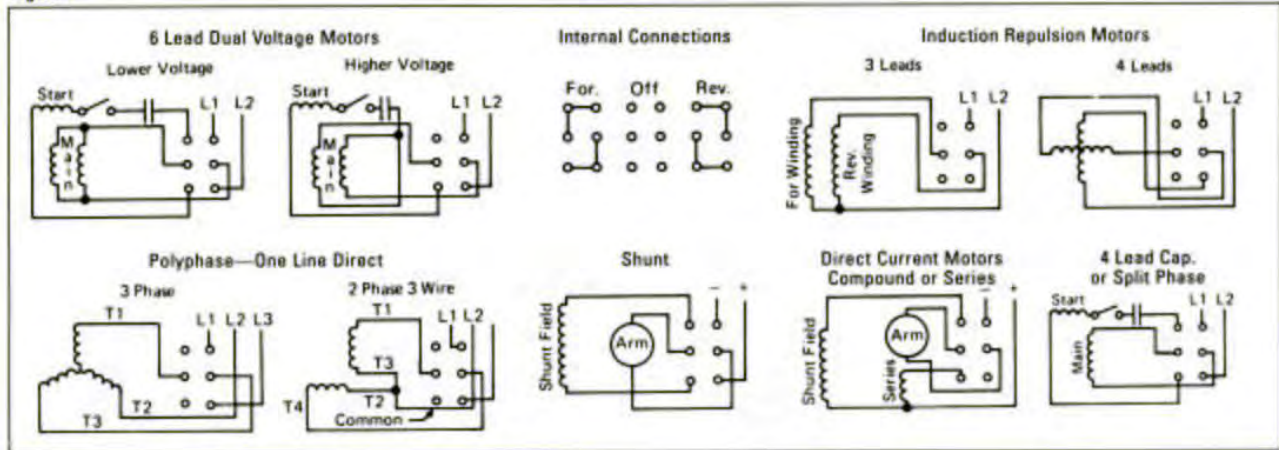


Figure 2

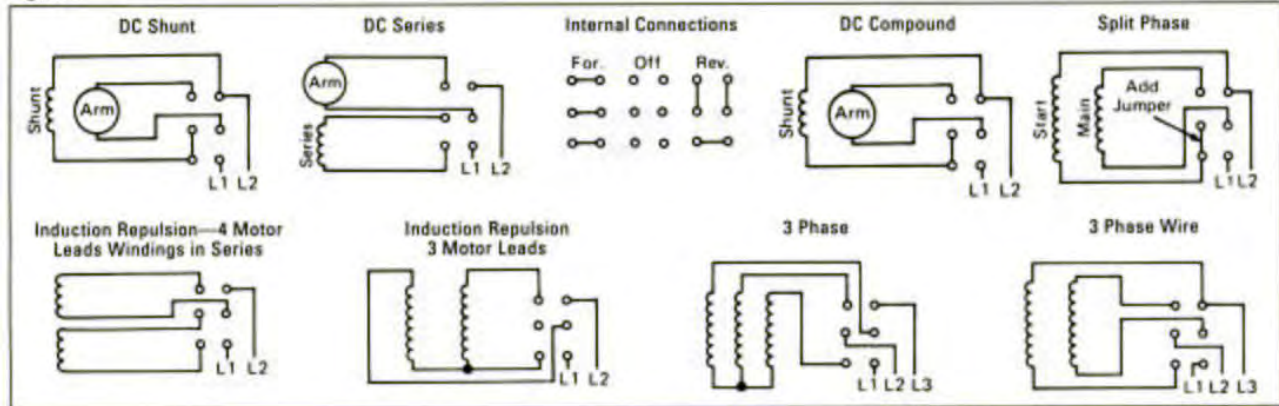


Figure 3

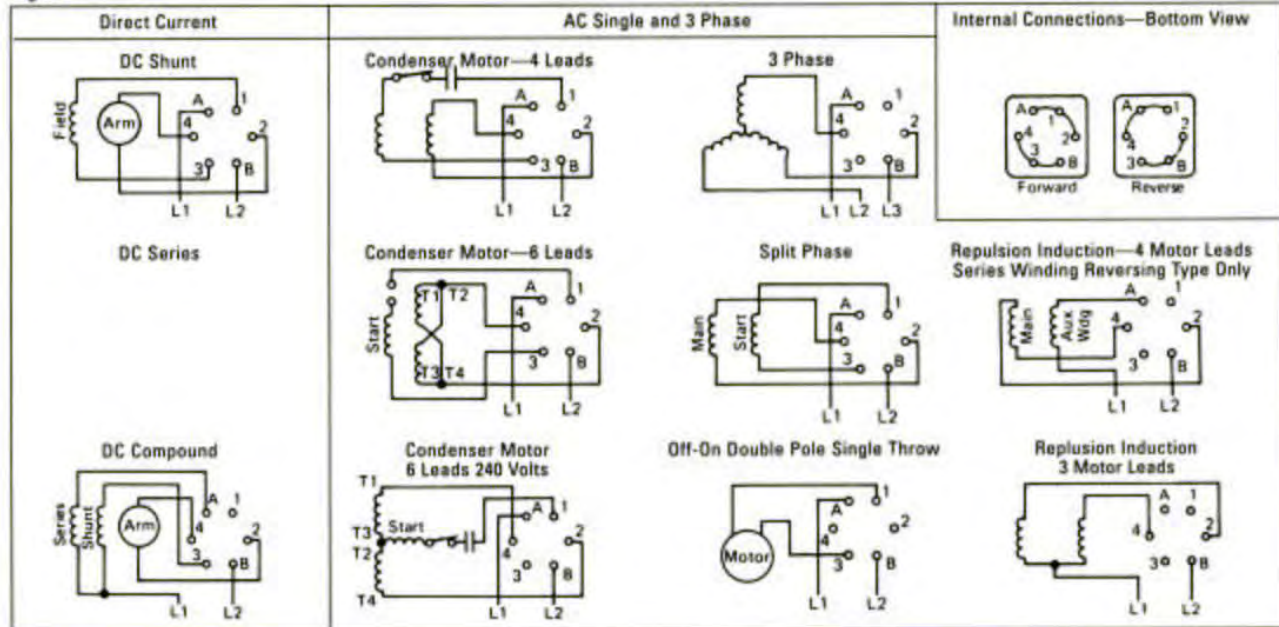


Figure 4

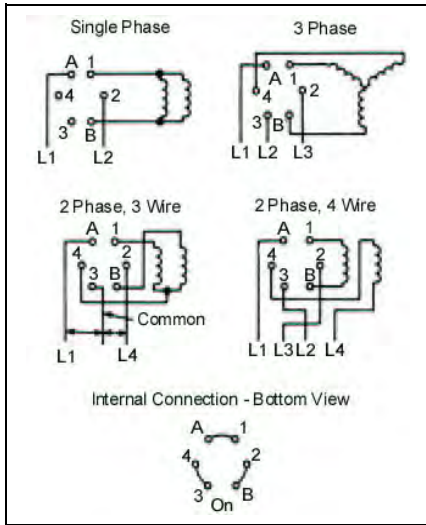


Figure 5

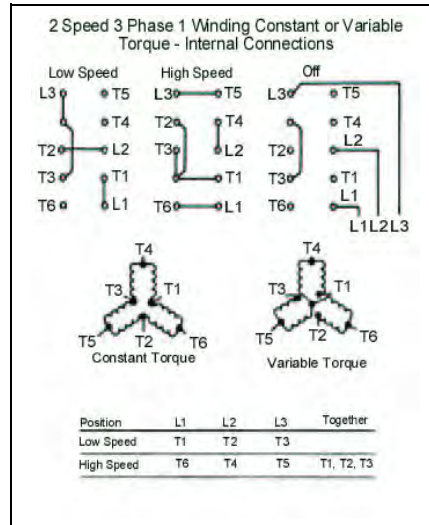


Figure 6

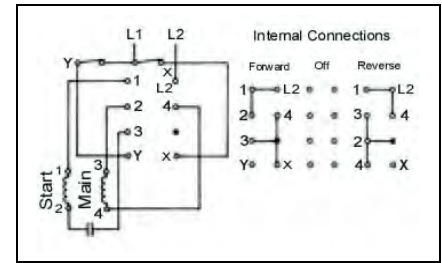


Figure 7

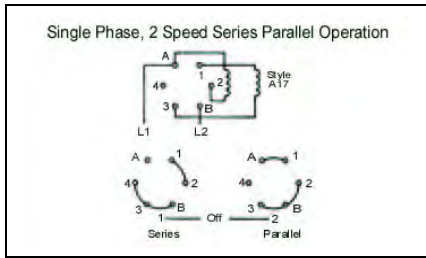


Figure 8

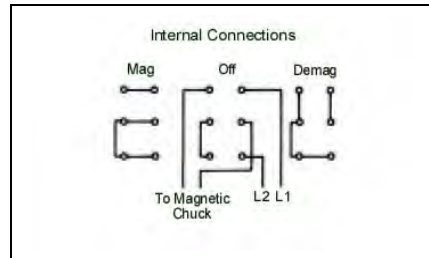


Figure 9 JET4

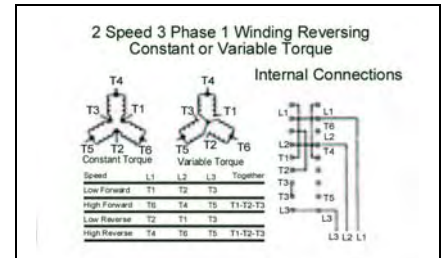


Figure 10 JED4

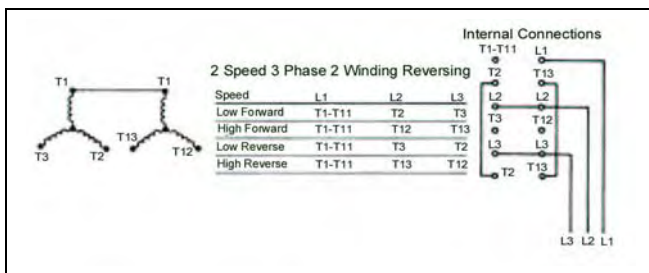


Figure 11 JEH4

