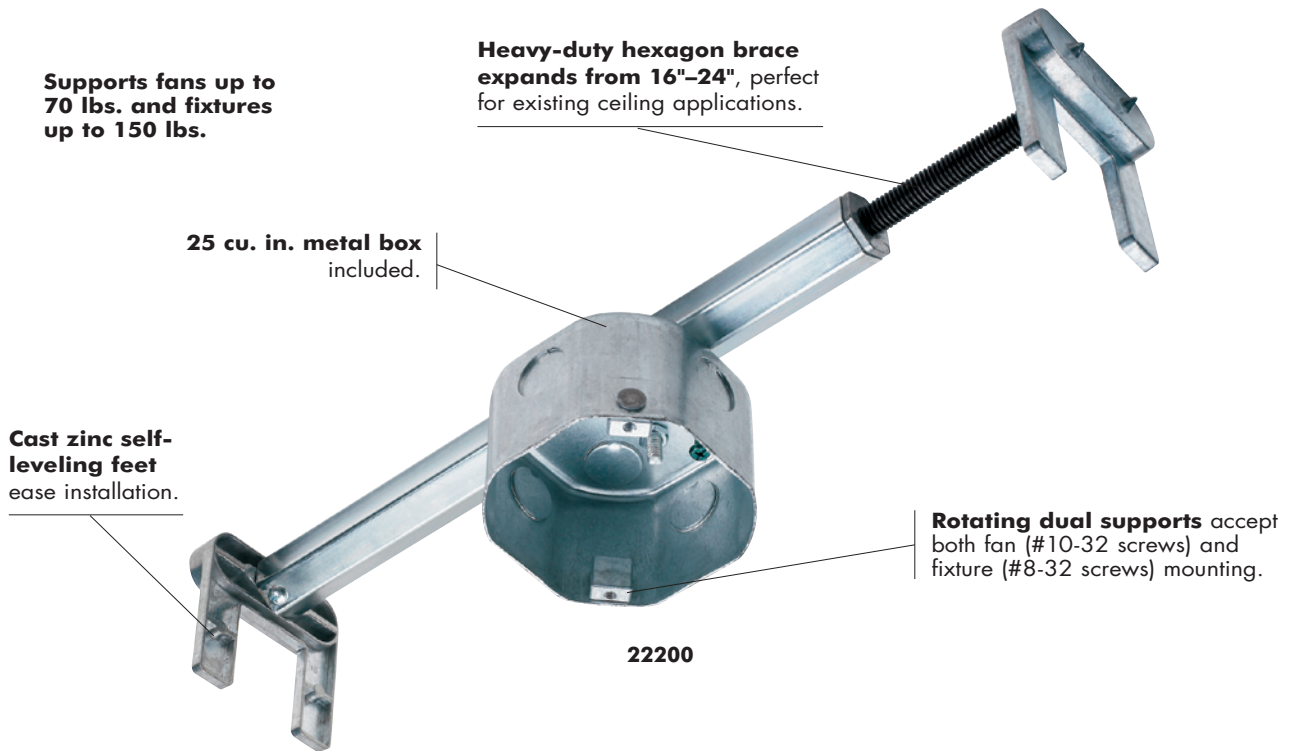


Reiker Ceiling Fan & Fixture Support Products

Pass & Seymour



Supports fans up to 70 lbs. and fixtures up to 150 lbs.

Heavy-duty hexagon brace expands from 16"-24", perfect for existing ceiling applications.

25 cu. in. metal box included.

Cast zinc self-leveling feet ease installation.

Rotating dual supports accept both fan (#10-32 screws) and fixture (#8-32 screws) mounting.

22200

Index

Device	Page Number
Retrofit Braces	Q-2
New Construction Slides	Q-3
Side, Direct & Shallow Boxes	Q-4
Specialty Boxes & Concrete Fan Support Boxes	Q-5
Specifications	Q-6, Q-7

Reiker Ceiling Fan & Fixture Support Products Retrofit Braces

Features

- For spans from 16 to 24 inches.
- UL listed for fan and fixture support.
- Self-leveling feet.
- Maximum weight rating shown for 16" spans.
- Ground screw pre-installed.
- Boxes include top knockouts.

Catalog Number	Description	Volume Cu. In.	Box Depth	Quantity Per Carton	UL Listed Max. Weight Rating at 16" Span	
					Fan	Fixture
Retrofit Braces						
22200	Fan Brace – premium grade with deep box, rotating dual support for 16-24" spans	25 cu. in.	2.5"	12	70 lbs.	150 lbs.
33310	Fan Brace – standard grade with standard box, single #10 support for 16-24" spans	16 cu. in.	1.5"	12	70 lbs.	150 lbs.
33300	Fan Brace Only – use with standard octagon electrical box (33303), single #10 support for 16-24" spans	N/A	N/A	12	70 lbs.	150 lbs.
83300	Fan Brace – premium grade with standard box, rotating dual support for 16-24" spans	16 cu. in.	1.5"	12	70 lbs.	150 lbs.



22200



33310



33300



83300

Reiker Ceiling Fan & Fixture Support Products New Construction Slides

Pass & Seymour



Reiker Ceiling Fan & Fixture Support Products

Features

- For spans from 16 to 24 inches.
- UL listed for fan and fixture support.
- Peel-off tape for "hands-free" installation.
- Maximum weight rating shown for 16" spans.
- Broadest line available, from shallow to deep boxes.
- Pre-assembled with ground screw installed.
- Boxes include top knockouts.

Catalog Number	Description	Volume Cu. In.	Box Depth	Quantity Per Carton	UL Listed Max. Weight Rating at 16" Span	
					Fan	Fixture
New Construction						
55501*	Slide Fan Support – heavy-duty slide with standard box, rotating dual support for 16-24" spans	16 cu. in.	1.5"	24	70 lbs.	110 lbs.
65521	Slide Fan Support – same heavy-duty slide as 55501, but with 2.0" deep box, to accommodate up to 1" firewall or soundproofed ceilings, with rotating dual support for 16-24" spans, bulk packed	21 cu. in.	2.0"	25	70 lbs.	110 lbs.
85502	Slide Fan Support – heavy-duty slide with deep box, rotating dual support for 16-24" spans	21 cu. in.	2.0"	24	70 lbs.	110 lbs.
77702	Slide Fan Support – heavy-duty slide with shallow box, rotating dual support for 16-24" spans	8 cu. in.	5/8"	24	70 lbs.	110 lbs.

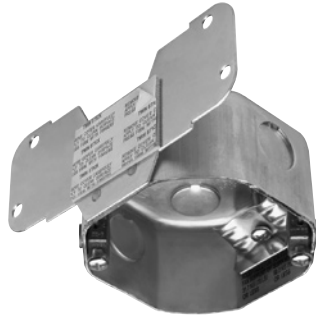
*Available in 12 Pack. Use Catalog Number 5550112.



All devices listed on this page conform to NEMA OS1.

New Construction Slides

Pass & Seymour



55025



55505



77705

Reiker Ceiling Fan & Fixture Support Products Side, Direct & Shallow Boxes

Features

- Direct mount to joist.
- UL listed for fan and fixture support.
- Peel-off tape for “hands-free” installation.
- Broadest line available, from shallow to deep boxes.
- Ground screw pre-installed.
- Supplied with hardware.
- Boxes include top knockouts.

Catalog Number	Description	Volume Cu. In.	Box Depth	Quantity Per Carton	UL Listed Max. Weight Rating at 16" Span	
					Fan	Fixture
Side Mount Boxes						
55015	Side Mount Box – with rotating dual support	16 cu. in.	1.5"	24	70 lbs.	150 lbs.
55020*	Side Mount Deep Box – with rotating dual support	21 cu. in.	2.0"	24	70 lbs.	150 lbs.
55025	Side Mount Deep Box – same as 55020 with 5 top knockouts and rotating dual support	21 cu. in.	2.0"	24	70 lbs.	150 lbs.
Direct Mount Boxes						
33303	Standard Electrical Box – for use with 33300 Brace	16 cu. in.	1.5"	36	N/A	N/A
44400	Direct Mount Deep Box – with rotating dual support	25 cu. in.	2.5"	24	70 lbs.	150 lbs.
55505*	Direct Mount Box – with rotating dual support	16 cu. in.	1.5"	48	70 lbs.	150 lbs.
55528	Direct Mount Deep Box – with rotating dual support	21 cu. in.	2.0"	24	70 lbs.	150 lbs.
Shallow Boxes						
77700*	Direct Mount Shallow Box – with rotating dual support	8 cu. in.	5/8"	24	70 lbs.	150 lbs.
77705	Direct Mount Shallow Box – with rotating dual support	6.5 cu. in.	1/2"	24	70 lbs.	150 lbs.

*Available in 12 Packs. Use Catalog Numbers 55020012, 55505012 and 77700012.

Reiker Ceiling Fan & Fixture Support Products Specialty Boxes, Concrete Fan Support Boxes & Contractor Packs

Pass & Seymour



Reiker Ceiling Fan & Fixture Support Products

Specialty Boxes & Concrete Fan Support Boxes

Features

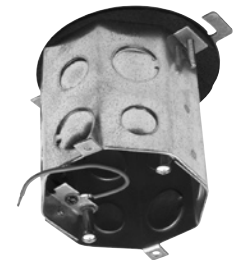
- Direct mount to joist.
- UL listed for fan and fixture support.
- Peel-off tape for "hands-free" installation.
- Maximum weight ratings (slides and braces) shown for 16" spans.
- Broadest line available, from shallow to deep boxes.
- Ground screw pre-installed.
- Supplied with hardware.
- Boxes include top knockouts.



77706



15010



15040

Catalog Number	Description	Volume Cu. In.	Box Depth	Quantity Per Carton	UL Listed Max. Weight Rating at 16" Span	
					Fan	Fixture
Specialty Boxes						
77706	Shallow Box – with wings for thick/ firewall ceilings, rotating dual support	8 cu. in.	5/8"	24	70 lbs.	150 lbs.
15010*	Drop Ceiling Support – single #10 support for 24-36" spans, 38" drop	16 cu. in.	1.5"	6	70 lbs.	150 lbs.
Concrete Fan Support Boxes						
15040	Concrete Box – single #10 support	47.5 cu. in.	4.0"	12	35 lbs.	50 lbs.

*UL Listed Fan/Fixture at 24" Span.

Catalog Number	Description	Volume Cu. In.	Box Depth	Quantity Per Carton	Base Item	UL Listed Max. Weight Rating at 16" Span	
						Fan	Fixture
Bulk – Contractor Pack							
65501	Slide Fan Support – heavy-duty slide with standard box, rotating dual support for 16-24" spans	16 cu. in.	1.5"	25	55501	70 lbs.	110 lbs.
77708	Slide Fan Support – heavy-duty slide with shallow box, rotating dual support for 16-24" spans	8 cu. in.	5/8"	24	77702	70 lbs.	110 lbs.
55500	Direct Mount Box – with rotating dual support	16 cu. in.	1.5"	24	55505	70 lbs.	150 lbs.
65505	Direct Mount Box – with rotating dual support	16 cu. in.	1.5"	50	55505	70 lbs.	150 lbs.
67705	Direct Mount Shallow Box – with rotating dual support	6.5 cu. in.	1/2"	50	77705	70 lbs.	150 lbs.

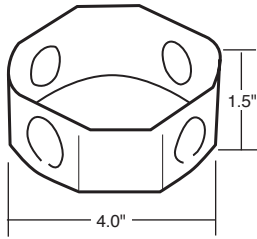
All devices listed on this page conform to NEMA OS1.

Pass & Seymour

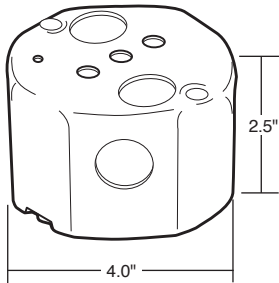


Reiker Ceiling Fan & Fixture Support Products Specifications

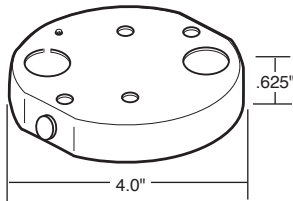
Retrofit Braces



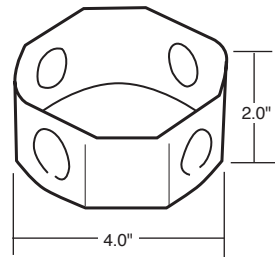
A



B



C



D

Materials of Construction	
Hex Tube	16 Gauge Extruded Steel with Chrome Plating
Square Tube	16 Gauge Extruded Steel with Chrome Plating
Die Cast Feet	Die Cast Zinc
Plastic Feet	Injection Molded Plastic

Compliances
Compliant with UL514A
Compliant with NEC Section 422.18 and Section 314.27
Extension rating from 16 to 24 inches
Compliant with NEMA Standard OS1

Catalog Number	Description	Box Included			Weight Rating (lbs.)			
		Type	Depth	Cu. In.	16" Spans		>16-24" Spans	
22200	Premium Brace with deep box	B	2.5	25	70	150	35	50
33300	Premium Brace only		None		70	150	35	50
33310	Standard Brace with standard box	A	1.5	16	70	150	35	50
83300	Premium Brace with standard box	A	1.5	16	70	150	35	50

New Construction Slides

Materials of Construction	
Slide Parts	16 Gauge Stamped Steel
Inner Slide	14 Gauge Stamped Steel

Compliances
Compliant with UL514A
Compliant with NEC Section 422.18 and Section 314.27
Extension rating from 16 to 24 inches
Compliant with NEMA Standard OS1

Catalog Number	Description	Box Included			Weight Rating (lbs.)			
		Type	Depth	Cu. In.	16" Spans		>16-24" Spans	
55501	Heavy-Duty Slide w/standard box	A	1.5	16	70	110	35	50
65501	Heavy-Duty Slide w/standard box	A	1.5	16	70	110	35	50
65521	Heavy-Duty Slide w/deep box	D	2.0	21	70	110	35	50
77702	Heavy-Duty Slide with shallow box	C	0.625	8	70	110	35	50
77708	Heavy-Duty Slide with shallow box	C	0.625	8	70	110	35	50
85502	Heavy-Duty Slide with deep box	D	2.0	21	70	110	35	50

Reiker Ceiling Fan & Fixture Support Products Specifications

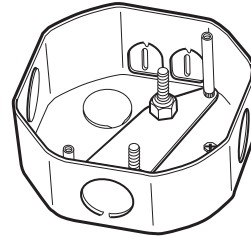
Pass & Seymour



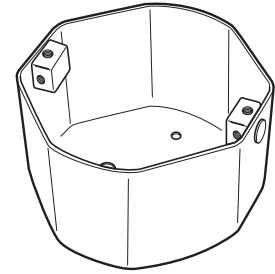
Side, Direct, Shallow & Specialty Boxes

Materials of Construction	
Box Steel	16 Gauge Stamped Steel

Compliances
Compliant with UL514A
Compliant with NEC Sections 422.18 and 314.27
Compliant with NEMA Standard OS1



Single #10 Support



Rotating Dual Support

Catalog Number	Description	Box Capacity	Weight Rating
33303	Electrical Box Only	16 cu. in.	N/A
44400	Direct Mount with Rotating Dual Support	25 cu. in.	Up to 70# Fan/150# Fixture
55015	Side Mount with Rotating Dual Support	16 cu. in.	Up to 70# Fan/150# Fixture
55020	Side Mount with Rotating Dual Support	21 cu. in.	Up to 70# Fan/150# Fixture
55025	Side Mount with Rotating Dual Support	21 cu. in.	Up to 70# Fan/150# Fixture
55505	Direct Mount with Rotating Dual Support	16 cu. in.	Up to 70# Fan/150# Fixture
55528	Direct Mount with Rotating Dual Support	21 cu. in.	Up to 70# Fan/150# Fixture
77700	Direct Mount Shallow Box with Rotating Dual Support	8 cu. in.	Up to 70# Fan/150# Fixture
77705	Direct Mount Shallow Box with Rotating Dual Support	6.5 cu. in.	Up to 70# Fan/150# Fixture
77706	Direct Mount with U-Bracket for Firewalls with Rotating Dual Support	8 cu. in.	Up to 70# Fan/150# Fixture

Catalog Number	Wire Clamp Type
15010	Metal
15040	Plastic
22200	Plastic
33303	Metal
33310	Plastic
44400	Plastic
55015	Metal
55020	Plastic
55025	Plastic
55501	Metal
55505	Metal
55528	Plastic
65501	Metal
65521	Metal
77700	Plastic
77702	Plastic
77705	Plastic
77706	Plastic
83300	Plastic